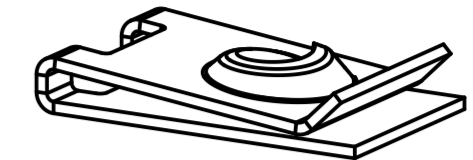
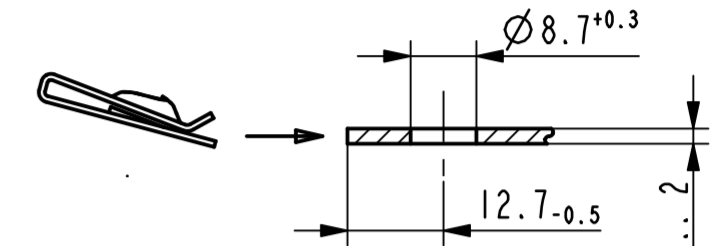


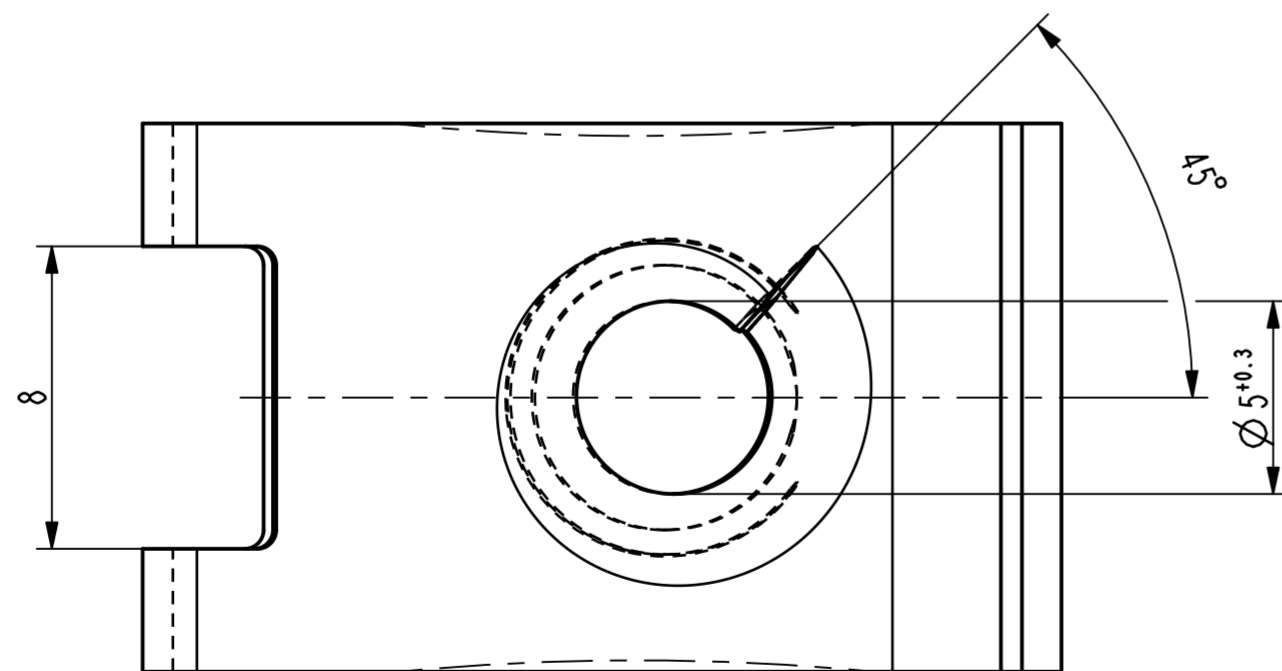
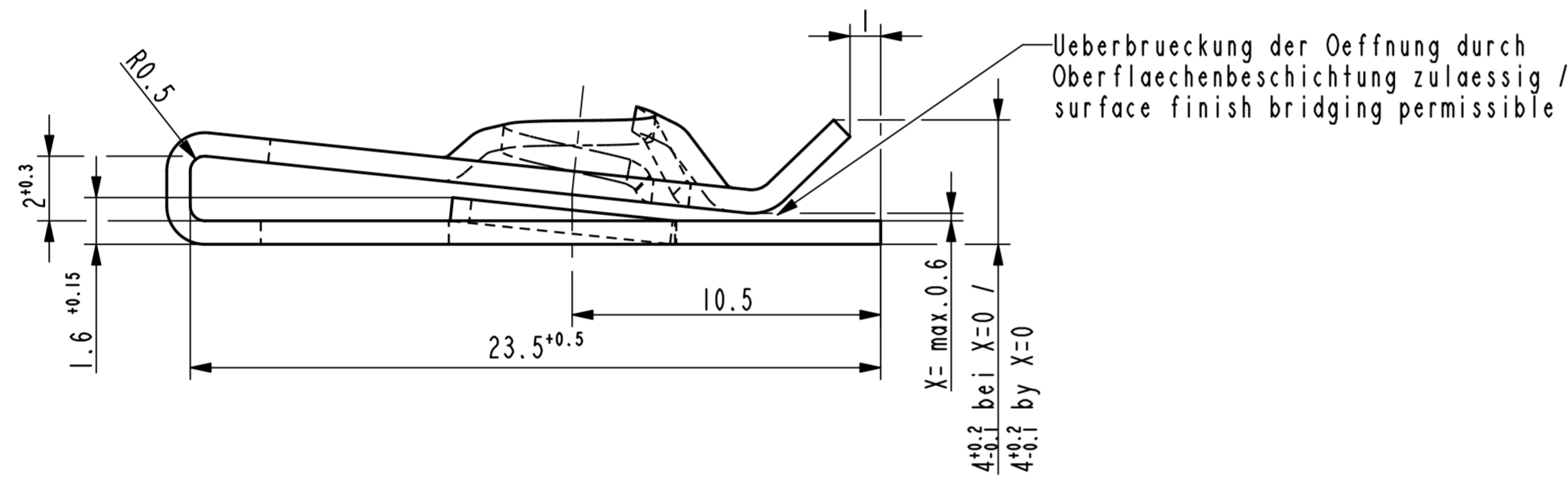
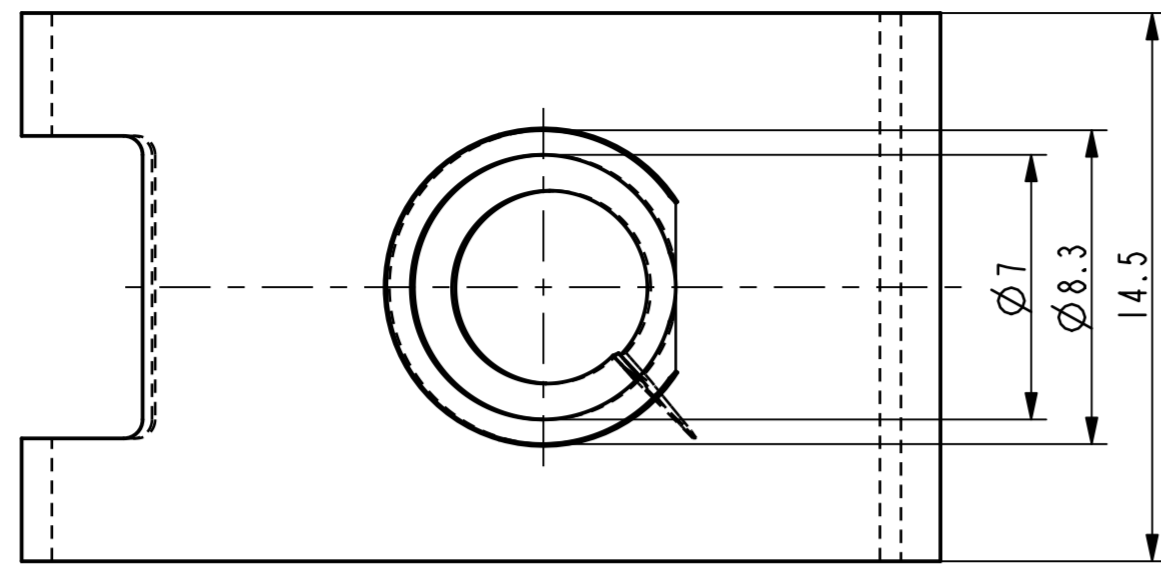
Vor Auslegung einer automatisierten Verarbeitung des Teils sollte Rücksprache mit Fa. A.Raymond gehalten werden.  
Fully automatic processing of the part requires prior consultation with A.Raymond GmbH.



Isometrische Ansicht /  
isometric view  
2:1



Einbausituation /  
assembly situation  
1:1



Einzug zulaessig /  
contraction permissible

Rev.	Anzahl/quality	Aenderungsbeschreibung / modification description	Datum/date	Name
Bc	1x	Oberflaechenvariante hinzugefuegt	25.11.11	Ru
Bb	-	Oberflaechenvariante entfernt (3000)	10.05.11	mj
<p><b>ARaymond</b> A RAYMOND GmbH &amp; Co.KG</p> <p>Teichstrasse 57 Germany - 79511 Loerrach Phone +49 (0) 7621 174-0 Fax +49 (0) 7621 174-225</p>				

**CONDITIONS OF USE**  
This drawing and all information (the "Drawing") disclosed are the exclusive property of A.Raymond. By using this Drawing the Addressee acknowledges and accepts that this Drawing (1) is covered by A.Raymond' intellectual property rights or know-how and (2) is provided under the following conditions who represent a Deposit Agreement. This Drawing is for Addressee' internal use only limited to its estimation. Without prior written consent of A.Raymond, no permission or rights for any purpose, is hereby granted, such as, without any limitation, (1) the copy, in part or entirely, (2) and/or the presentation, in part or entirely, to any other third party outside the Addressee' company or in the company but with no interest (3) and/or the distribution of the Drawing, in part or entirely, in any medium (4) and/or the creation of any derivative work. In case of breach of these conditions, Addressee shall indemnify A.Raymond from and against all damages (compensatory or consequential), costs, expenses and charges, caused or arising out of or attributable to its willful misconduct, fraud, negligence, infringement of A.Raymond' intellectual property rights. If the Addressee does not accept these conditions, please notify A.Raymond' sender immediately.

Intellectual property rights	vorbehalten / all rights reserved		Classification code	AABAG
Ersatz fuer/ substitute for	013402.c.01/Ba/15.07.2009	Entw.Ref./ dev.ref.	Projekt-Nr./ project no.	
Masstab/ scale	5:1	Format	A2	Datum/ date
Projektion / projection	ALL DIMENSIONS ARE IN MILLIMETERS		Erstellt von/ prepared by	M. Junge
Blechklaerung/ mat. thickness DIN EN 10140	0.80	Freigegeben/ approved	20111202073028	
Oberfl./ finish	phosphatiert / lackiert, Farbe schwarz (nicht deckend) / impraegniert phosphated / varnished, colour clear black / oiled			Oberfl. Code/ finish code
Werkstoffbehandl./ material treatment	zwischenstufenverguetet / austempered 375 ... 475 HV 5			5307
Werkstoff/ material	C67S DIN EN 10132-4			Met. code
				1000



Ⓢ	013402-0-07	metallhaltige Korrosionsschutzbeschichtung, Farbe schwarz metallic corrosion protection coated, colour black	5550
	013402-0-06	metallhaltige Korrosionsschutzbeschichtung, Farbe schwarz, GZ metallic corrosion protection coated, colour black, lubricated	5453
	013402-0-05	metallhaltige Korrosionsschutzbeschichtung, Farbe silber, GZ metallic corrosion protection coated, colour silver, lubricated	4001
	013402-0-04	metallhaltige Korrosionsschutzbeschichtung, Farbe schwarz metallic corrosion protection coated, colour black	5451
	013402-0-03	metallhaltige Korrosionsschutzbeschichtung, Farbe silber metallic corrosion protection coated, colour silver	5410
	Teil-Nr. / part no.	Oberflaeche / Farbe / finish / colour	Oberfl. Code/ finish code
Ausfuhrung / Execution			

Benennung/ title	Blechmutter fuer Gewinde EN ISO 1478-ST6.3 sheet metal nut for thread EN ISO 1478-ST6.3	
Teil-Nr. / part no.	013402-0-02	Drawing type
		C:Customer
Kundenteile-Nr. / customer part no.	-	Blatt / sheet
		1 / 1
CAD system & version	ProE WF4	Dateiname / filename
		013402-0C00