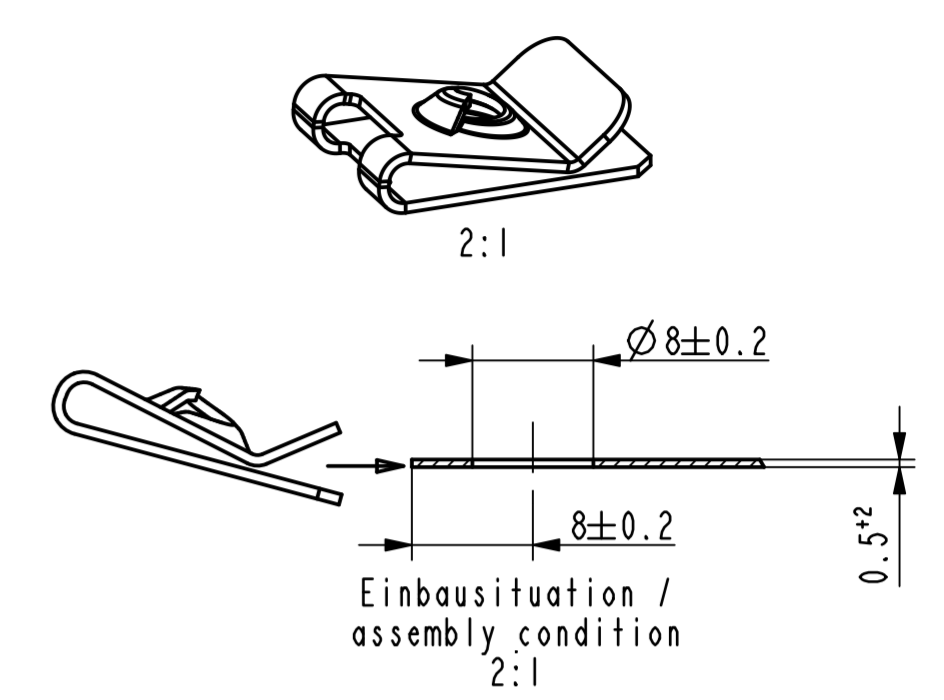
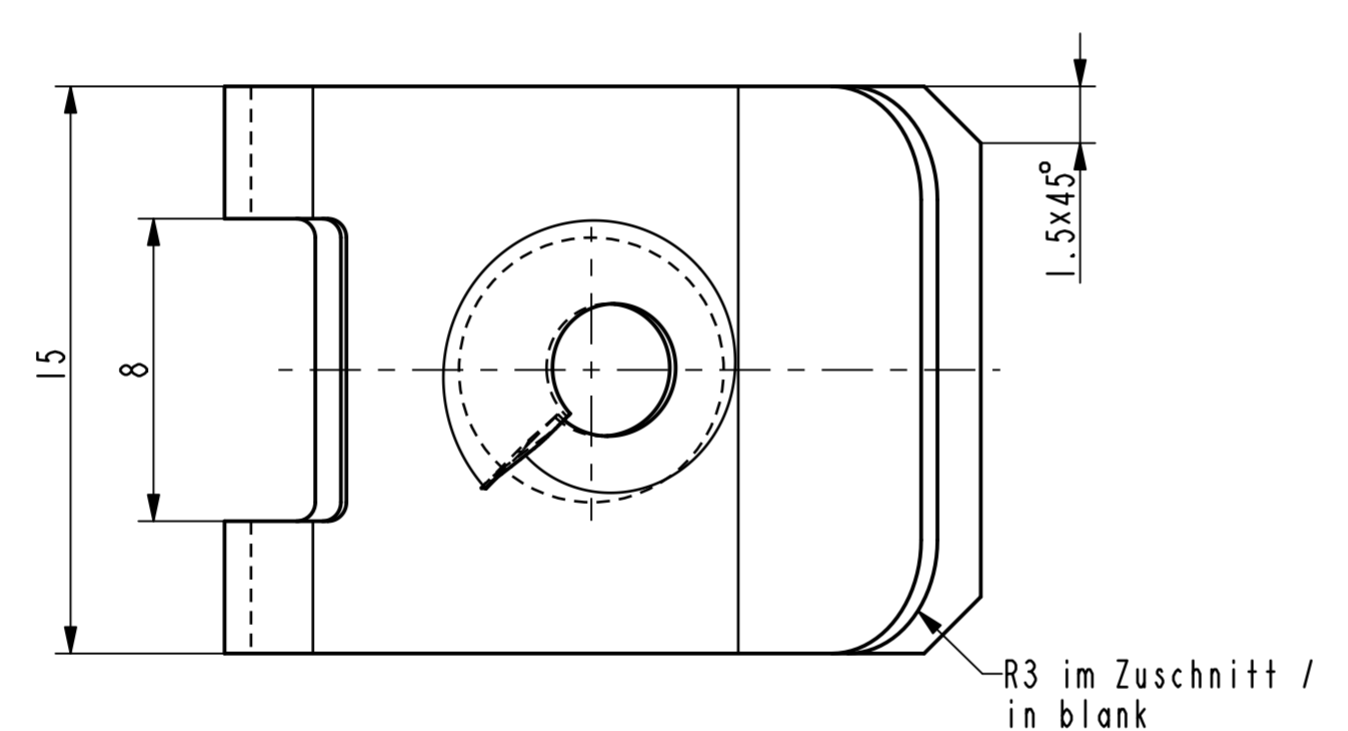
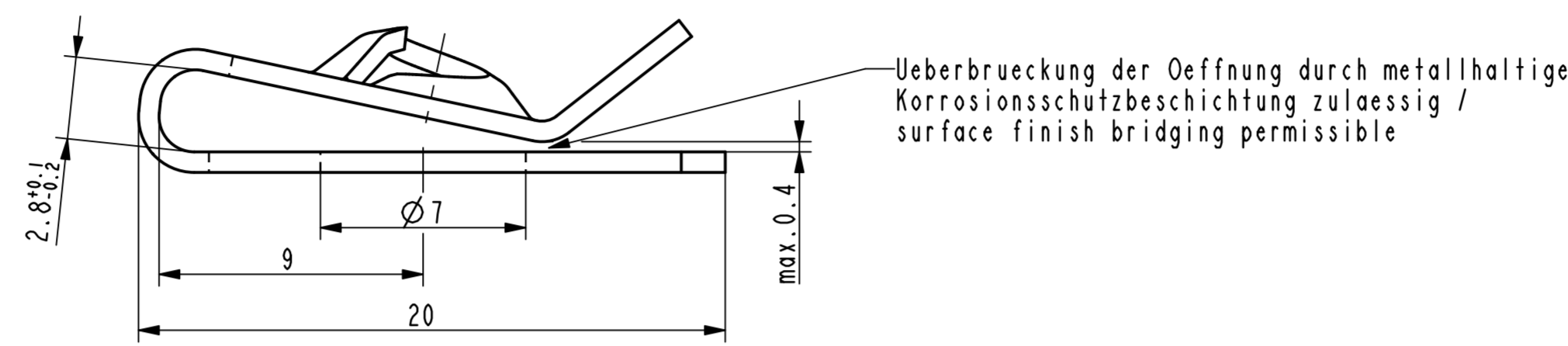


Vor Auslegung einer automatisierten Verarbeitung des Teils sollte Ruecksprache mit Fa. A.Raymond gehalten werden.
 Fully automatic processing of the part requires prior consultation with A.Raymond GmbH.



Ab	1x	Oberflaechevariante hinzugefuegt	28.10.10	Ru
Rev.	Anzahl/quantity	Aenderungsbeschreibung / modification description	Datum/date	Name

	ARaymond GmbH & Co. KG	Teichstrasse 57 Germany - 79511 Loerrach Phone +49 (0) 7621 174-0 Fax +49 (0) 7621 174-225
--	----------------------------------	---

"CONDITIONS OF USE"
 This drawing and all information (the "Drawing") disclosed are the exclusive property of A.Raymond. By using this Drawing the Addressee acknowledges and accepts that this Drawing (1) is covered by A.Raymond's intellectual property rights or know-how and (2) is provided under the following conditions which represent a Deposit Agreement. This Drawing is for Addressee's internal use only limited to its estimation. Without prior written consent of A.Raymond, no permission or rights for any purpose, is hereby granted, such as, without any limitation, (1) the copy, in part or entirely (2) and/or the presentation, in part or entirely, to any other third party outside the Addressee's company or in the company but with no interest (3) and/or the distribution of the Drawing, in part or entirely, in any medium (4) and/or the creation of any derivative work. In case of breach of these conditions, Addressee shall indemnify A.Raymond from and against all damages (compensatory or consequential), costs, expenses and charges, caused or arising out of or attributable to its willful misconduct, fraud, negligence, infringement of A.Raymond's intellectual property rights. If the Addressee does not accept these conditions, please notify A.Raymond immediately.

Schutzrechte/patent rights	vorbehalten / all rights reserved		Resch Code/classification	AAAAE	
Ersatz fuer/substitute for	018650.C.01/Aa/20.07.2009	Entw.Ref./dev.ref.	Projekt-Nr./project no.		
Masstab/scale	Format	Allgemeintoleranz/general tolerance	Datum/date	28.10.2010	
5:1	A2	±0.3 / ±5°	Erstellt von/prepared by	Ruzicka	
Projektion/projection	ALL DIMENSIONS ARE IN MILLIMETERS		Freigegeben/approved	20101029054509	
	Blechkuecke/met. thickness DIN EN 10140	0.70	Volumen/volume (mm³)	365.0	
	Gewicht/weight (g)			2.9	
Oberfl./finish	metallhaltige Korrosionsschutzbeschichtung, Farbe Silber metallic corrosion protection coated, colour silver			Oberfl. Code/finish code	5410
Werkstoffbehandl./material treatment	zwischenstufenverguetet / austempered 435 ... 535 HV 5				
Werkstoff/material	C67S DIN EN 10132-4			Mat. code	1000
Bezeichnung/title	Blechmutter fuer Gewinde EN ISO 1478 - ST 4.8 sheet metal nut for thread EN ISO 1478 - ST 4.8				
Teil-Nr./part no.	018650-0-01	Drawing type		Customer	
Kundenteile-Nr. / customer part no.	-	Blatt / sheet		1 / 1	
CAD system & version	ProE WF3	Dateiname / filename			018650-0C00

Ab	018650-0-02	metallhaltige Korrosionsschutzbeschichtung, Farbe Silber, GZ metallic corrosion protection coated, colour silver, lubricated	4001
Teil-Nr. / part no.		Oberflaeche / Farbe / finish / colour	Oberfl. Code/ finish code
Ausfuhrung / Execution			