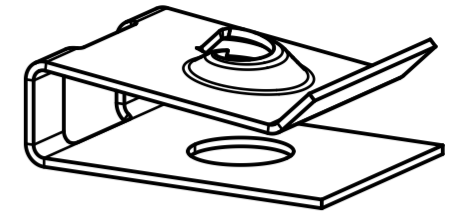
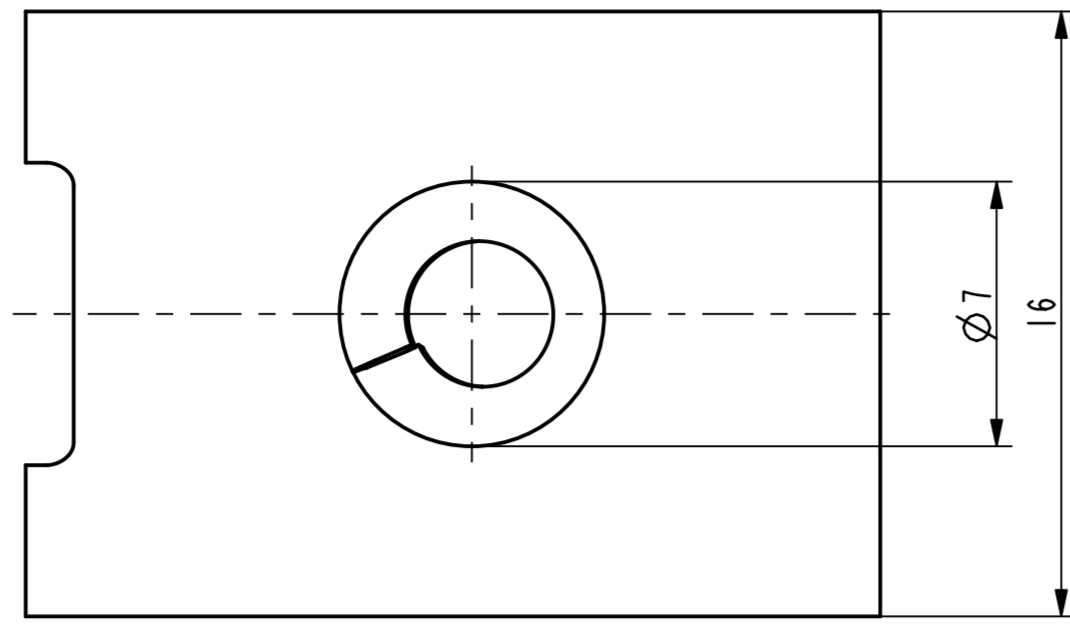
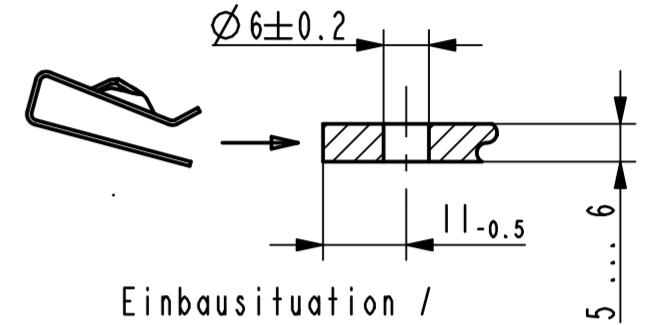


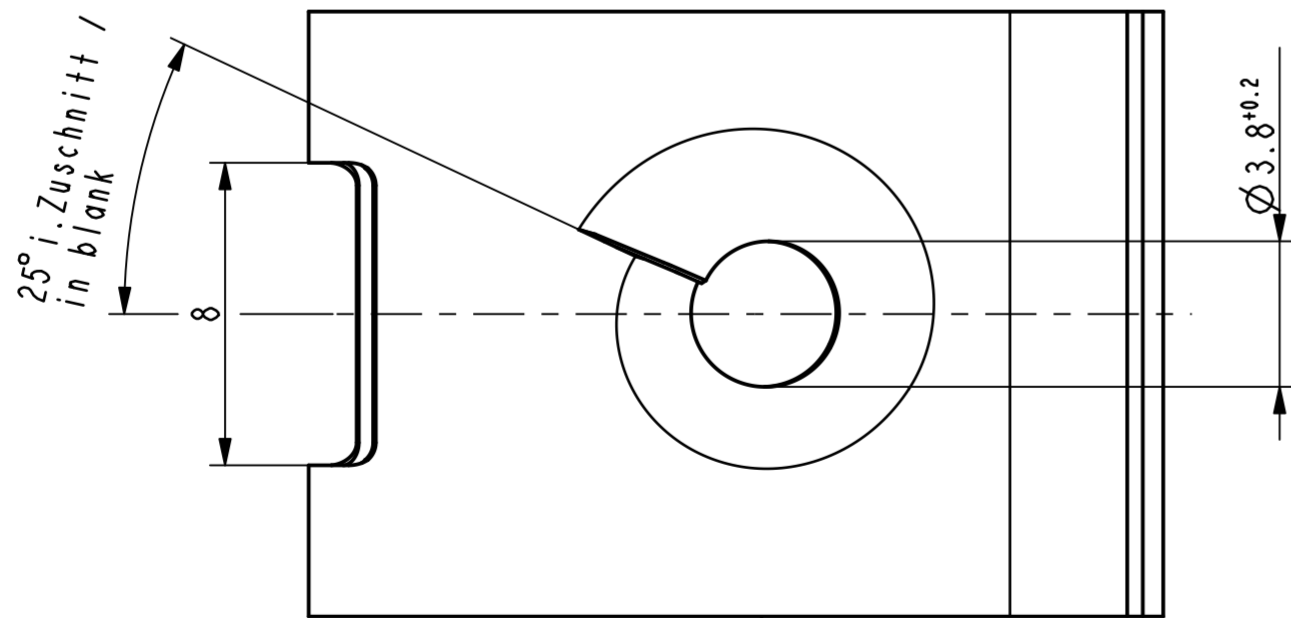
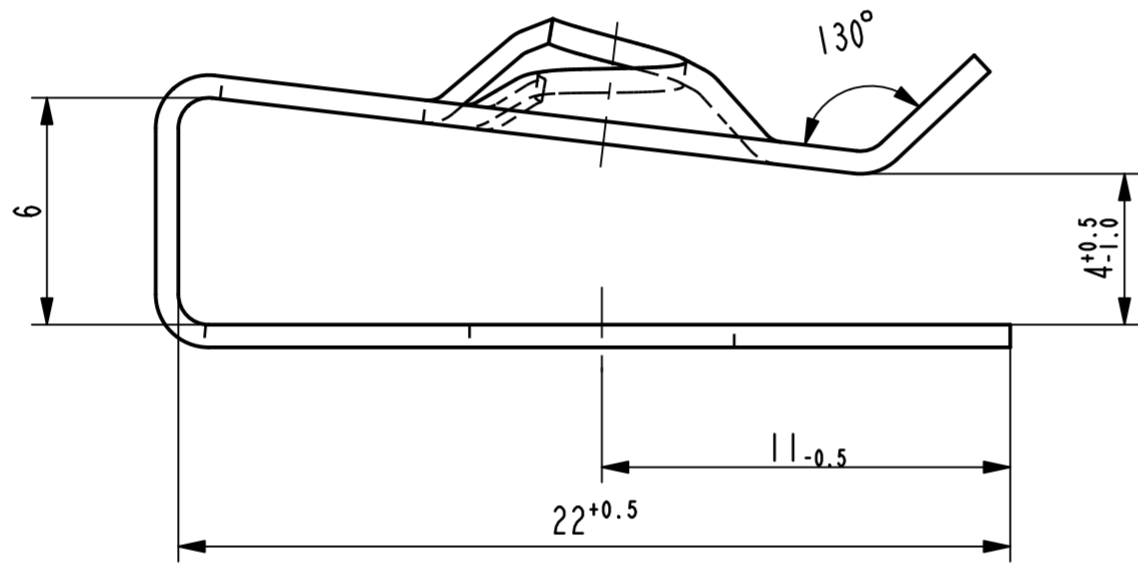
Vor Auslegung einer automatisierten Verarbeitung des Teils sollte Rücksprache mit Fa. A.Raymond gehalten werden.
Fully automatic processing of the part requires prior consultation with A.Raymond GmbH.



Isometrische Ansicht /
isometric view
2:1



Einbausituation /
assembly situation
1:1



Einzug beidseitig zulässig /
contraction bothside permissible



-	-	-	-	-
-	-	-	-	-
-	-	-	-	-
-	-	-	-	-
-	-	-	-	-
-	-	-	-	-
-	-	-	-	-
-	-	-	-	-
-	-	-	-	-
-	-	-	-	-
Cb	ix	Oberflaechenvariante hinzugefuegt	08.07.11	Ru
Ca	-	Oberflaechenvariante entfernt (3000, 3300)	18.10.10	mj
Rev.	Anzahl/ quantity	Aenderungsbeschreibung / modification description	Datum/date	Name

ARaymond
A RAYMOND GmbH & Co.KG
Teichstrasse 57
Germany - 79511 Loerrach
Phone +49 (0) 7621 174-0
Fax +49 (0) 7621 174-225

Bei Verständnisproblemen beantragen Sie bitte beim Absender die deutsche Fassung vor jeder Anwendung.
"CONDITIONS OF USE"
This drawing and all information (the "Drawing") disclosed are the exclusive property of A.Raymond.
By using this Drawing the Addressee acknowledges and accepts that this Drawing
(1) is covered by A.Raymond' intellectual property rights or know-how and
(2) is provided under the following conditions who represent a Deposit Agreement.
This Drawing is for Addressee' internal use only limited to its estimation.
Without prior written consent of A.Raymond, no permission or rights for any purpose, is hereby granted, such as, without any limitation,
(1) the copy, in part or entirely
(2) and/or the presentation, in part or entirely, to any other third party outside the Addressee' company or in the company but with no interest
(3) and/or the distribution of the Drawing, in part or entirely, in any medium
(4) and/or the creation of any derivative work.
In case of breach of these conditions, Addressee shall indemnify A.Raymond from and against all damages (compensatory or consequential),
costs, expenses and charges, caused or arising out of or attributable to its willful misconduct, fraud, negligence, infringement of
A.Raymond' intellectual property rights. If the Addressee does not accept these conditions, please notify A.Raymond' under immediately.

Schutzrechte/ patent rights	vorbehalten / all rights reserved		Resch Code/ classification	AAAAE
Ersatz fuer/ substitute for	013576.c.01/C/20.04.2005	Entw.Ref./ dev.ref.	Projekt-Nr./ project no.	46464-EM
Masstab/ scale	Format	Allgemeintoleranz/ general tolerance	Datum/ date	18.10.2010
5:1	A2	±0.25 / ±3°	Erstellt von/ prepared by	M. Junge
Projektion / projection	ALL DIMENSIONS ARE IN MILLIMETERS		Freigegeben/ approved	20110708110549
	Blechklaetzel/ met. thickness DIN EN 10140	0.60	Volumen/ volume (mm³)	424.4
			Gericht/ weight (g)	3.4

Oberfl./
finish
metallhaltige Korrosionsschutzbeschichtung, Farbe silber
metallic corrosion protection coated, colour silver
Oberfl. Code/
finish code
5410

Werkstoffbehandl./
material treatment
zwischenstufenverguetet / austempered
375 ... 475 HV 5

Werkstoff/
material
C67S DIN EN 10132-4
Met. code
1000

Bezeichnung/
title
Blechmutter
fuer Gewinde EN ISO 1478-ST4.8
sheet metal nut
for thread EN ISO 1478-ST4.8

Ⓢ	013576-0-05	metallhaltige Korrosionsschutzbeschichtung, Farbe silber metallic corrosion protection coated, colour silver	4052
	013576-0-04	verzinkt / passiviert farblos zinc plated / passivated colourless	3250
	Teil-Nr. / part no.	Oberflaechen / Farbe / finish / colour	Oberfl. Code/ finish code
	Ausfuhrung / Execution		

Teil-Nr. / part no.	013576-0-03	Drawing type Customer
Kundenteile-Nr. / customer part no.	-	Blatt / sheet 1 / 1
CAD system & version	ProE WF3	Dateiname / filename 013576-0C00