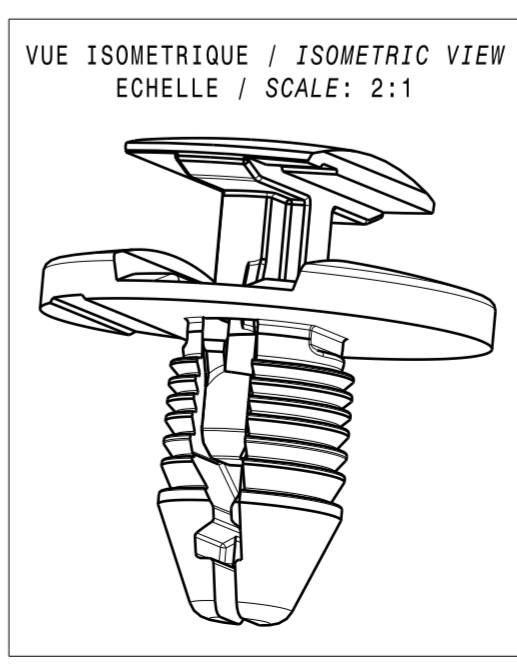
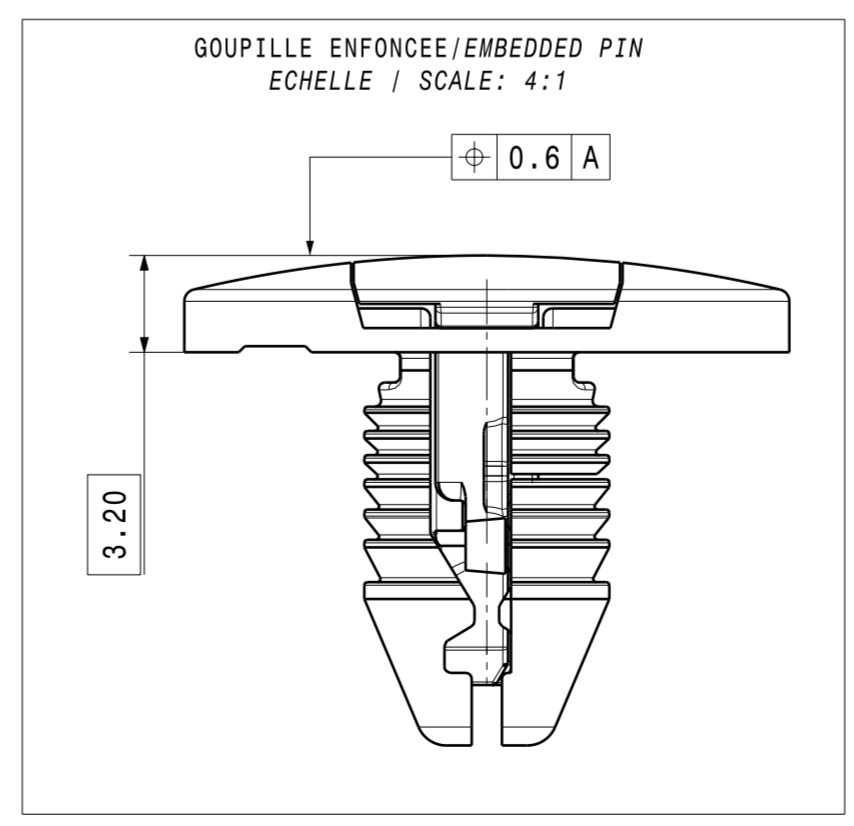
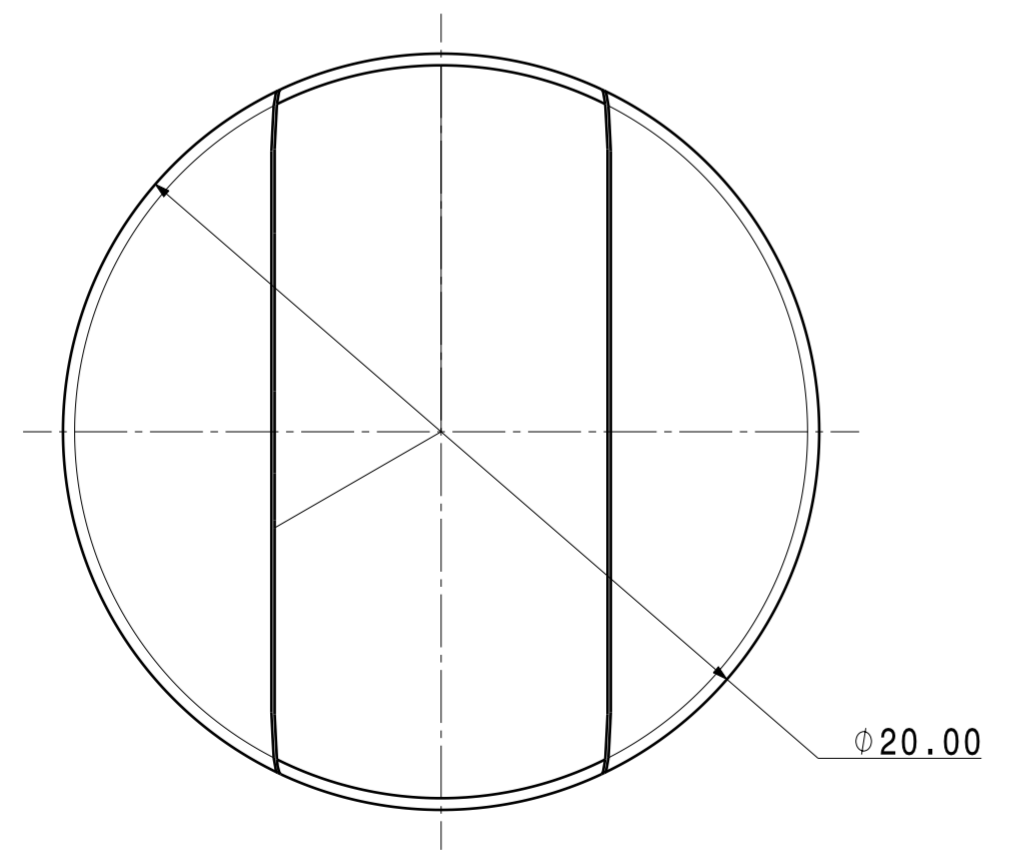
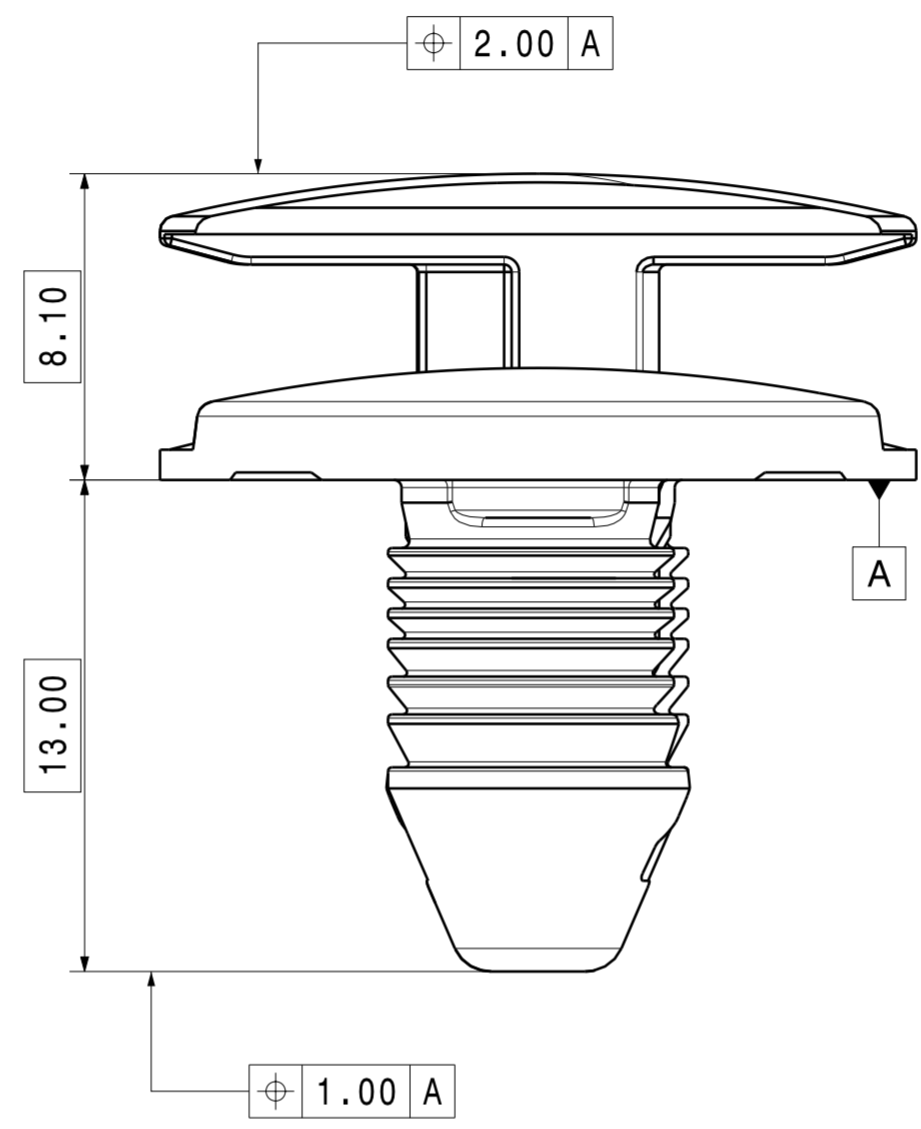
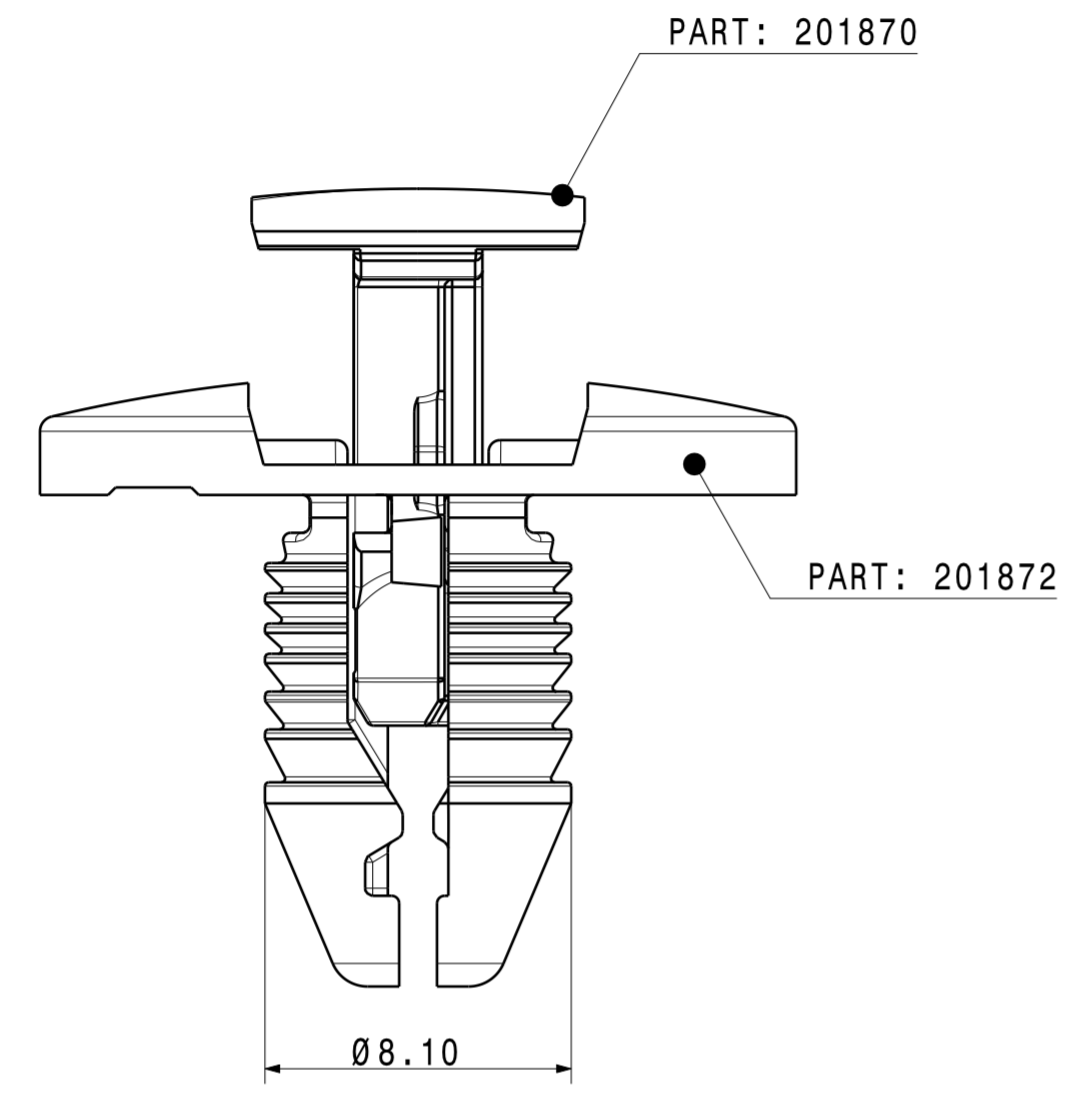
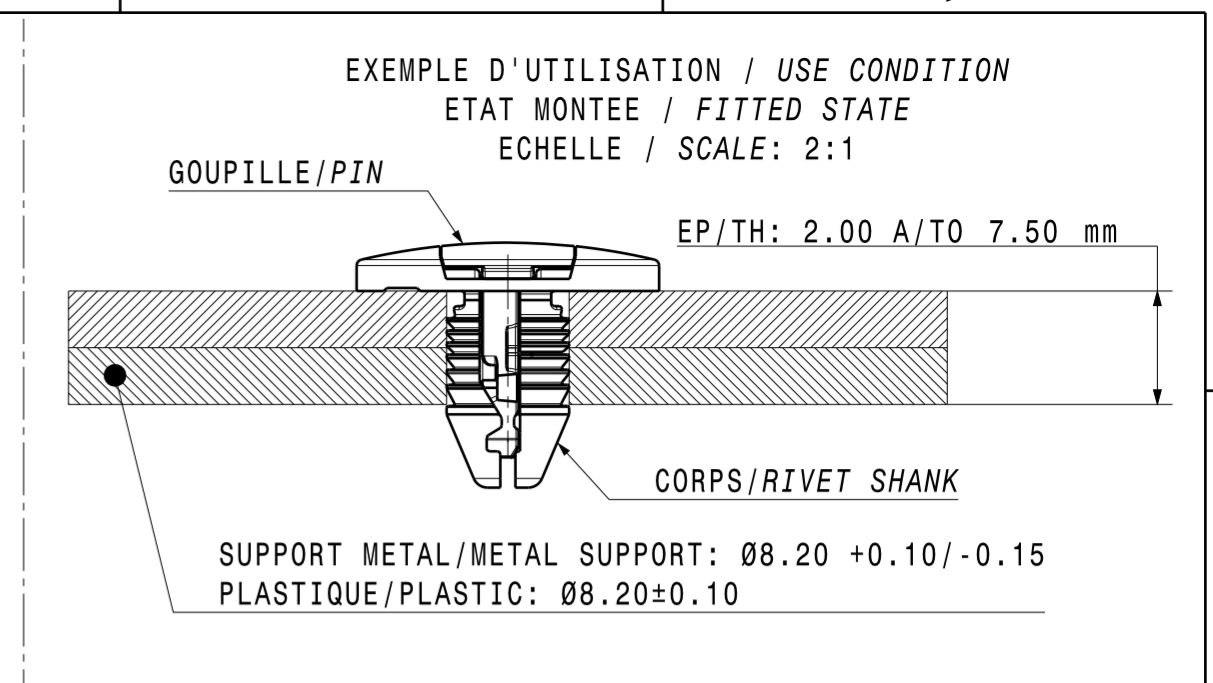


Réf / Ref	Pièce / Part	Matière / Material	Finition / Finishes	Poids (g) / Weight (g)
201793-0-00	201872-0-00	PA66 12 Noir Zytel 450 HSLX-BK 152	Noir Black	0,9
	201870-0-00	PA66 02 Noir Ultradid A3W Noir	Noir Black	0,5
201793-0-01	201872-0-01	PA66 02-30FV Naturel Radilon ARV 300 LW 100	Gris Grey	1,1
	201870-0-01	PA66 02 Noir Ultradid A3W Noir	Gris Grey	0,5



Gk	-	DRAWING UPDATED	07.06.12	GPA
Gj	-	MAJ NOTA + tolérances support tôle	22.02.10	MSZ
REV.	Quant.	Indice / revision description	Date	Name
		113 cours Berriat BP 157 France - 38019 Grenoble cedex 1 Tel +33 (0) 4 76 33 49 49 Fax +33 (0) 4 76 78 20 50		

Si problème de compréhension, merci de demander la version française à ARaymond avant toute utilisation.

If the addressee does not accept these conditions, please notify A.Raymond sender immediately. This drawing and all information (the Drawing) disclosed are the exclusive property of A.Raymond. By using this Drawing the Addressee acknowledges and accepts that this Drawing (1) is covered by A.Raymond intellectual property rights or know-how, and (2) is provided under the following conditions who represent a Deposit Agreement. This Drawing is for Addressee' internal use only limited to its estimation, without prior written consent of A.Raymond, no permission or rights for any purpose, is hereby granted, such as, without any limitation, (1) the copy, in part or entirely (2) and/or the presentation, in part or entirely, to any other third party outside the Addressee' company or in the company but with no interest (3) and/or the distribution of the Drawing, in part or entirely, in any medium (4) and/or the creation of any derivative work. In case of breach of these conditions, Addressee shall indemnify A.Raymond from and against all damages (compensatory or consequential), costs, expenses and charges, caused or arising out of or attributable to its willful misconduct, fraud, negligence, infringement of A.Raymond' Intellectual Property rights.

Brevets / Patent rights	Patented RG614	Suffix code	CAF--
N° Projet	Origine / Origin	Chef de projet / Project Manager <b>ALBARAN.JF</b>	
Echelle / scale	Format	Tolerance / Dimension	Date
4:1	A2	± 0.50 ± 5.00°	07.11.2003
ALL DIMENSIONS ARE IN MILLIMETERS		Realise / Prepared by	20120607114906
Epaisseur / Wat. thickness		Volume (mm³)	Poids / Weight (g)
		1237	-

Finition / finish  
**Voir nomenclature See products list**

Traitement structural / Material treatment  
**Sans Without**

Matiere / Material  
**Voir nomenclature See products list**

Libelle / Title  
**Plastirivet  
Plastic rivet**

Reference /Part no.	201793-0-00	Drawing type	C : Customer
Ref. client / Customer part no.		Planche / Sheet	1/1
CAD system & version		CATIA V5 R19 SP9	
Non fichier / File name		201793-0C00	

VERIFIER L ECHELLE APRES PHOTOCOPIE / BEWARE SCALE AFTER COPY