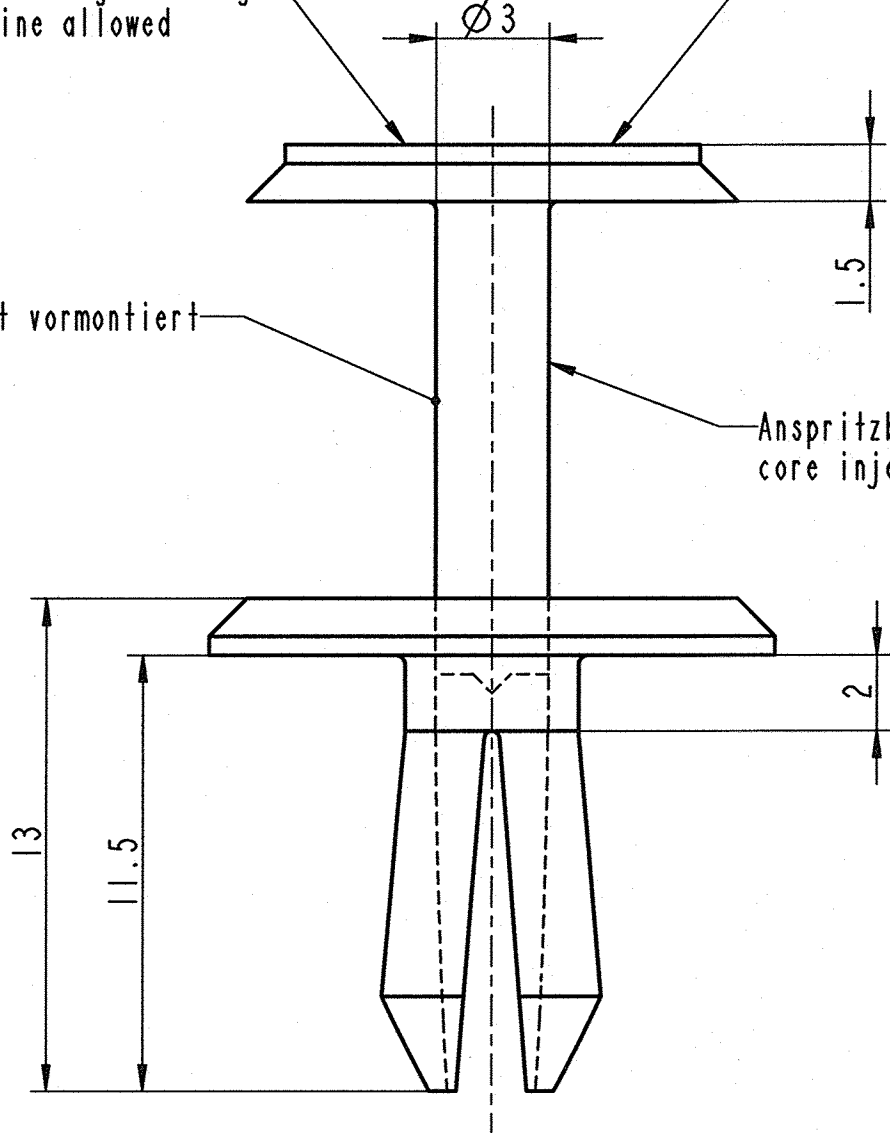


Ringförmige Formtrennung zulässig
 annular parting line allowed

Erodierstruktur
 eroding structure

Stift vormontiert

Anspritzbutzen zulässig
 core injection point allowed

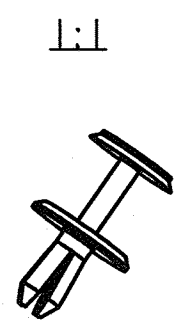


endgültige Toleranzfestlegung
 nach Erprobung der Serienteile
 final definition of tolerances
 after testing the serial parts

>400 <= 1000	±2
>120 <= 400	±1.5
> 30 <= 120	±1
> 6 <= 30	±0.5
<= 6	±0.25
Winkel / Angle	±3°

Allgemeintoleranzen fuer
 Nennmasse ohne Toleranz.
 General tolerances for
 nominal dimensions without
 specified tolerance.

Bef.-Loch Fastening hole	Bef.-Dicke Fastening thickness
Ø 4.6±0.05	3
Ø 4.7±0.05	4
Ø 4.8±0.05	5
Ø 4.9±0.05	6
Ø 5.0±0.05	7
Ø 5.1±0.05	8



-	-	-	-	-	-
-	-	-	-	-	-
-	-	-	-	-	-
-	-	-	-	-	-
Ab	lx	Farbcode 7000 war 7001	08.01.08	Sp	Sp
Aa	-	- Erstfreigabe -	14.12.07	Sp	
Ind.	konti var/ how often	Beschreibung / Description	Datum/Date	Name	

Aenderungen / Modifications

Format DIN A3 SPEZIALBEFESTIGUNGSSYSTEME WELTWEIT / ENGINEERED FASTENERS WORLDWIDE

Bei Verstaendnisproblemen beantragen Sie bitte beim Absender die deutsche Fassung vor Jeder Anwendung.
 "CONDITIONS OF USE"
 This drawing and all information (the "Drawing") disclosed are the exclusive property of A-Raymond. By using this Drawing the Addressee acknowledge and accept that this Drawing (1) is covered by A-Raymond' intellectual property rights or know-how and (2) is provided under the following conditions who represent a Deposit Agreement. This Drawing is for Addressee' internal use only limited to its estimation. Without prior written consent of A-Raymond, no permission or rights for any purpose, is hereby granted, such as, without any limitation, (1) the copy, in part or entirely (2) and/or the presentation, in part or entirely, to any other third party outside the Addressee' company or in the company but with no interest (3) and/or the distribution of the Drawing, in part or entirely, in any medium (4) and/or the creation of any derivative work. In case of breach of these conditions, Addressee shall indemnify A-Raymond from and against all damages (compensatory or consequential), costs, expenses and charges, caused or arising out of or attributable to its willful misconduct, fraud, negligence, infringement of A-Raymond' intellectual property rights. If the Addressee does not accept these conditions, please notify A-Raymond' sender immediately.

Dateiname/ Filename	CAD-PE: 018795_C_04				
Ersatz fuer/ Substitute for	-	Proj.-Nr./ Proj.-No.	59467-K	RASCH- Code	CAF--
		Vol.(mm ³)	590	Gewicht/ Weight (g)	0.83

Schutzrechte/
Patent rights vorbehalten / all rights reserved

Gepr./ App.	F.-gepr./ Produktion	Q.-gepr./ Quality	S.-gepr./ Patent app.
----------------	-------------------------	----------------------	--------------------------

Masstab / Scale	Allgem.Tol. wenn nicht anders angegeben/ General tol. unless otherwise specified	Datum/ Date	14.12.2007
5:1	siehe Tabelle / see table	Gez./ Drawn	Schnurpfeil Sp

Oberflächenbehandlg./ Finish	-	Kennzahl/ Code number	-
---------------------------------	---	--------------------------	---

Werkstoffbehandlg./ Material treatment	-	Blechedicke/ Mat.Thickn. DIN EN 10 140	-
---	---	--	---

Werkstoff/ Material	PA 6 . Standard	Mat.-Code	1500
------------------------	-----------------	-----------	------

Benennung/
Partname

Spreizniet
expansion rivet

018795 003	schwarz black	SW	7000
Teil-Nr. / Part-No.	Oberfläche / Farbe / Finish / colour	Kennzahl/ Code number	
	Ausführung / Execution		

Teil-Nr./ Part-No.	018795 003	C
-----------------------	------------	---