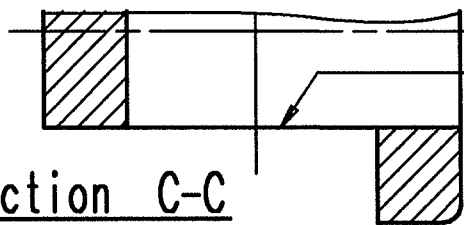
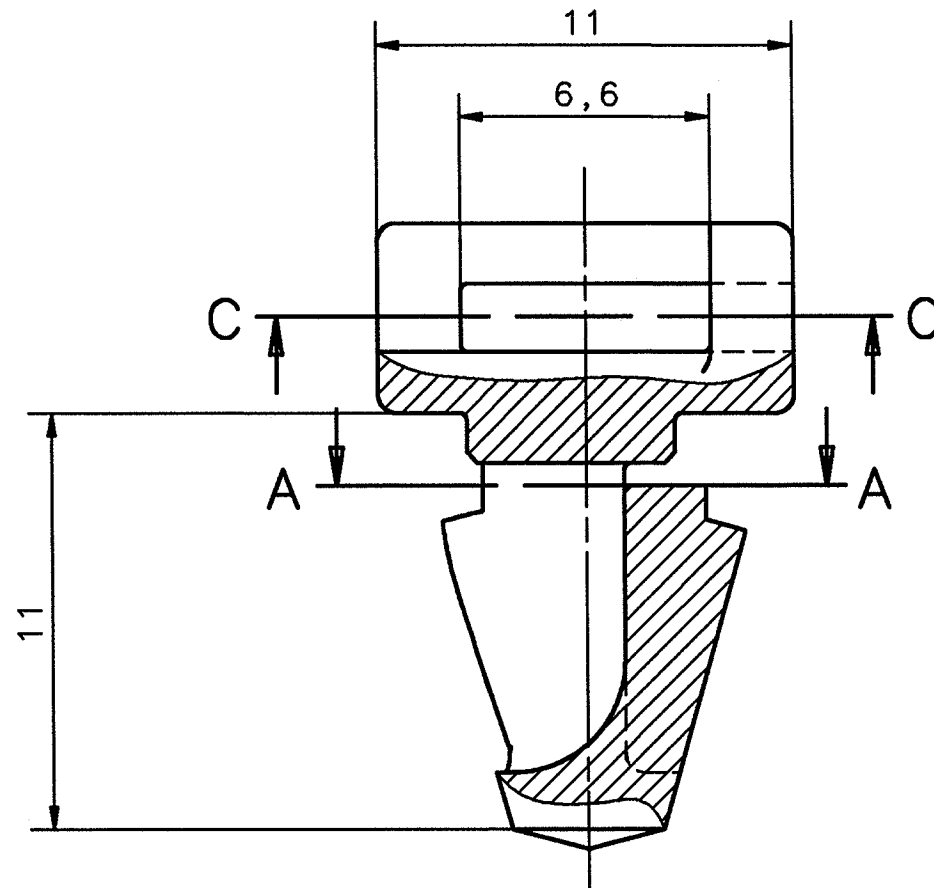


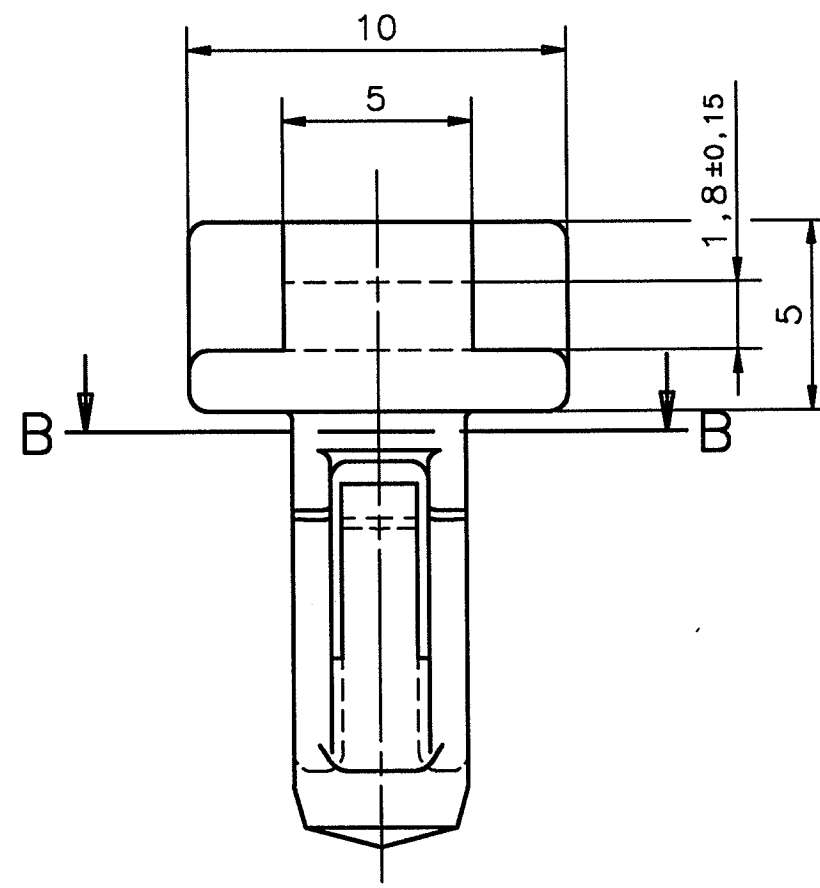
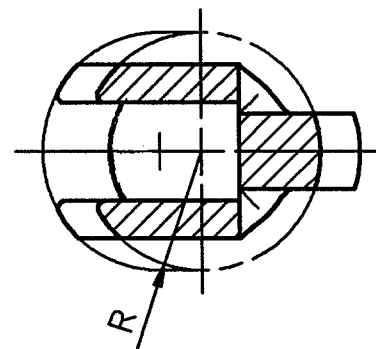
Schnitt / Section C-C



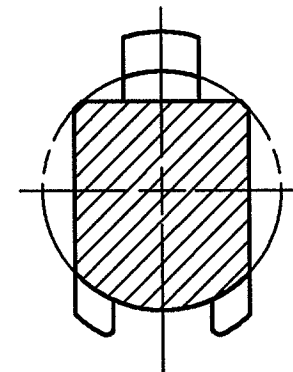
Entformungsschraege zulaessig
Draft allowed



Schnitt / Section A-A



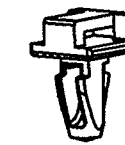
Schnitt / Section B-B



014130 001	schwarz black	SW	7000
014130 000	farblos nature	FL	0000
Teil - Nr. / Part - No.	Oberflaeche/Farbe/ Finish/colour	Kennzahl/ Code number	
	Ausfuehrung/Execution		
-CAD-I-	Format: DIN A3	-Zeichnung=DIN A	

Bemerkungen/
Remarks

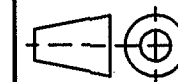
1:1



Befest. - Loch = ϕ 6,5 oder/or 6,3 x 5
Fastening hole
Befest. - Dicke = $2,5^{+0,1}$
Fastening thickness

C	-	3D-CAD; neue Urzeichnung; SAP-Umstellung;	03.11.05	Ni
		Indexreform		
Ind.	Samml. vor/ Ausfuehr.	Beschreibung / Description	Datum / Date	Name

Aenderungen/Modifications



A Raymond
GmbH & Co. KG

SPEZIALBEFESTIGUNGSSYSTEME WELTWEIT / ENGINEERED FASTENERS WORLDWIDE

Bei Verstaendnisproblemen beantragen Sie bitte beim Absender die deutsche Fassung vor jeder Anwendung.
"CONDITIONS OF USE"
This drawing and all information (the "Drawing") disclosed are the exclusive property of A.Raymond. By using this Drawing the Addressee acknowledge and accept that this Drawing (1) is covered by A.Raymond' intellectual property rights or know-how and (2) is provided under the following conditions who represent a Deposit Agreement. This Drawing is for Addressee' internal use only limited to its estimation. Without prior written consent of A.Raymond, no permission or rights for any purpose, is hereby granted, such as, without any limitation, (1) the copy, in part or entirely (2) and/or the presentation, in part or entirely, to any other third party outside the Addressee' company or in the company but with no interest (3) and/or the distribution of the Drawing, in part or entirely, in any medium (4) and/or the creation of any derivative work. In case of breach of these conditions, Addressee shall indemnify A.Raymond from and against all damages (compensatory or consequential), costs, expenses and charges, caused or arising out of or attributable to its willful misconduct, fraud, negligence, infringement of A.Raymond' Intellectual Property rights. If the Addressee does not accept these conditions, please notify A.Raymond' sender immediately.

Dateiname/ Filename	014130_C_01		
Ersatz fuer/ Substitute for	14130.555 Index 2 vom 03.06.92	Proj.-Nr./ Proj.-No.	-
		RASCH- Code	YR---
		Vol.(mm ³)	474
		Gewicht/(g) Weight	-

Schutzrechte/ Patent rights			
Gepr./ App.	M. Nicolai	F.-gepr./ Produktion	Q.-gepr./ Quality
S.-gepr./ Patent app.		Datum/ Date	03.11.2005
Masstab / Scale	5:1	Allgen.Tol. wenn nicht anders angegeben/ General tol. unless otherwise specified	±0,25 / ±2°
		Gez./ Drawn	M.Nicolai

Oberflaechenbehandlung/ Finish	-	Kennzahl/ Code number	-
-----------------------------------	---	--------------------------	---

Werkstoffbehandlung/ Material treatment	-	Blechedicke/ Mat.Thickn.	DIN EN 10 140
--	---	-----------------------------	---------------

Werkstoff/ Material	POM C Standard	Mat.-Code	5555
------------------------	----------------	-----------	------

Benennung/ Partname	Halteklammer retainer clamp - C1		
------------------------	-------------------------------------	--	--

Teil-Nr./ Part-No.	014130 000	C
-----------------------	------------	---