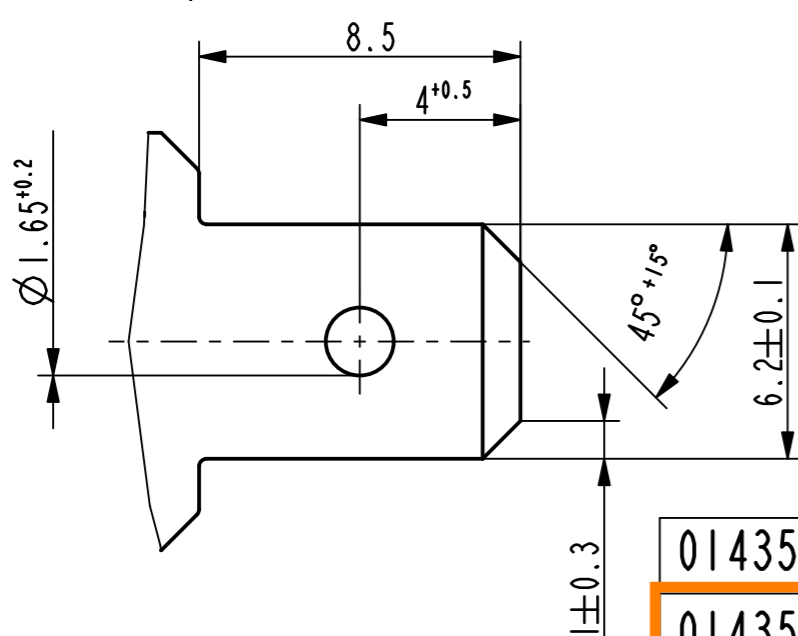


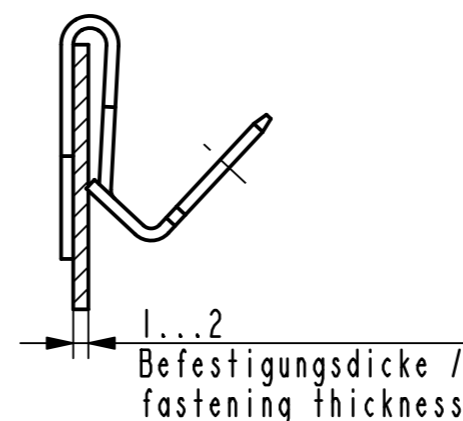
3D-Ansicht /  
isometric view  
1:1

Kralleneffnung / claw opening max 0.5  
max. 0.5 im Gegenschenkel zulässig /  
in contra shank permissible

X  
(gedreht gezeichnet)  
turned drawn



nicht bemaste Biegeinnenradien /  
undimensioned inside radius R0.75



Einbausituation /  
assembly situation  
2:1

014354-0-05	verzinkt / tinned	9999
014354-0-04	verzinkt / passiviert farblos zinc plated / passivated colourless	3250
Teil-Nr. / part no.	Oberfläche / Farbe / finish / colour	Oberfl. Code/ finish code
Ausführung / Execution		

Vor Auslegung einer automatisierten Verarbeitung des Teils  
sollte Rücksprache mit Fa. ARaymond gehalten werden.  
Fully automatic processing of the part requires prior  
consultation with ARaymond.

Ab	-	Zeichnung ueberarbeitet nach AR-Gruppenstandard, Teil unveraendert	30.05.11	PP
Rev.	Anzahl/ quantity	Aenderungsbeschreibung / modification description	Datum/date	Name



Teichstrasse 57  
Germany - 79511 Loerrach  
Phone +49 (0) 7621 174-0  
Fax +49 (0) 7621 174-225

A RAYMOND GmbH & Co.KG

Bei Verstaendnisproblemen beantragen Sie bitte beim Absender die deutsche Fassung vor jeder Anwendung.

"CONDITIONS OF USE"

This drawing and all information (the "Drawing") disclosed are the exclusive property of ARaymond. By using this Drawing the Addressee acknowledge and accept that this Drawing (1) is covered by ARaymond' intellectual property rights or know-how and (2) is provided under the following conditions who represent a Deposit Agreement. This Drawing is for Adressee' Internal use only limited to its estimation. Without prior written consent of ARaymond, no permission or rights for any purpose, is hereby granted, such as, without any limitation, (1) the copy, in part or entirely (2) and/or the presentation, in part or entirely, to any other third party outside the Addressee' company or in the company but with no interest (3) and/or the distribution of the Drawing, in part or entirely, in any medium (4) and/or the creation of any derivative work. In case of breach of these conditions, Addressee shall indemnify ARaymond from and against all damages (compensatory or consequential), costs, expenses and charges, caused or arising out of or attributable to its willful misconduct, fraud, negligence, infringement of ARaymond' intellectual property rights. If the Addressee does not accept these conditions, please notify ARaymond' sender immediately.

Intellectual property rights	vorbehalten / all rights reserved		Classification code	CCA--
Ersatz fuer/ substitut for	014354/Aa/08.03.2007	Entw.Ref./ dev.ref.	Projekt-Nr./ project no.	
Masstab/ scale	5:1	Format	A3	Allgemeintoleranz/ general tolerance
		Datum/ date	30.05.2011	
		Erstellt von/ prepared by	P.Pflueger	
Projektion / projection	ALL DIMENSIONS ARE IN MILLIMETERS		Freigegeben/ approved	20110601085252
	Bleedicke/ mat. thickness DIN EN 10140	0.80	Volumen/ volume (mm³)	309.6
			Gewicht/ weight (g)	2.5
Oberfl. / finish	vernickelt nickel plated			Oberfl. Code/ finish code 6500
Werkstoffbehandl./ material treatment	zwischenstufenverguetet / austempered 435 ... 535 HV 5			
Werkstoff/ material	C67S DIN EN 10132-4			Mat. code 1000
Benennung/ title	Erdungsklammer earth clip			
Teil-Nr. / part no.	014354-0-02			Drawing type C:Customer
Kundenteile-Nr. / customer part no.	-			Blatt / sheet 1 / 1
CAD system & version	ProE WF4		Dateiname / filename	014354-0C00