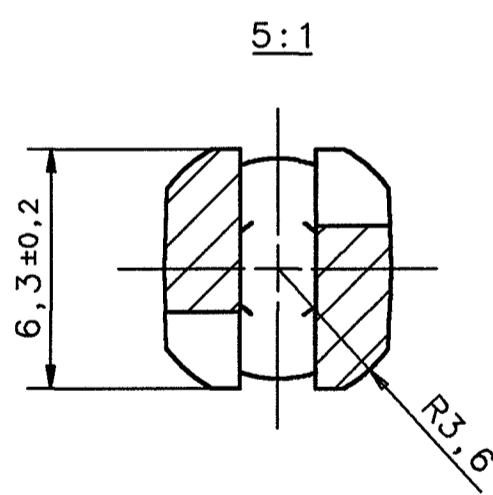
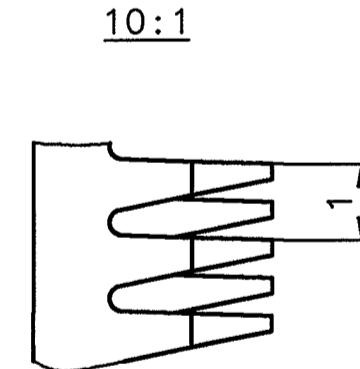


Schnitt / Section A-A



Einzelheit / Detail Z



Kennzeichnung : / Identification :  
 Warenzeichen Ford - Nr.1 - sh. EU 2922 A -  
 Trademark  
 Hersteller - Code  
 Mfr. - Code  
 Teil - Nr.  
 Pt. - No.

<http://www.cergy-vis.fr>  
**[CERGY-VIS]**  
 ET SI ON PARLAIT SERVICE

016131 000	schwarz black	SW	7000
Teil - Nr. / Part - No.	Oberfläche/Farbe/ Finish/colour	Kennzahl/ Code number	
	Ausführung/Execution		
-CAD-I-	Format: DIN A2	-Zeichnung=DIN A	

Bemerkungen/ Remarks		Montagedarstellung 1:1 Assembly situation									
<table border="1"> <tr> <td>B</td> <td>-</td> <td>(1) 3D-CAD neue Urzeichnung; SAP-Umstellung</td> <td>06.12.05 Ni</td> </tr> <tr> <td>Ind.</td> <td>Numm. von/ how often</td> <td>Beschreibung / Description</td> <td>Datum / Date Name</td> </tr> </table>				B	-	(1) 3D-CAD neue Urzeichnung; SAP-Umstellung	06.12.05 Ni	Ind.	Numm. von/ how often	Beschreibung / Description	Datum / Date Name
B	-	(1) 3D-CAD neue Urzeichnung; SAP-Umstellung	06.12.05 Ni								
Ind.	Numm. von/ how often	Beschreibung / Description	Datum / Date Name								
Änderungen/Modifications											
<p>Bei Verständnisproblemen beantragen Sie bitte beim Absender die deutsche Fassung vor jeder Anwendung.          *CONDITIONS OF USE*          This drawing and all information (the "Drawing") disclosed here are the exclusive property of A.Raymond. By using this Drawing the Addressee acknowledges and accepts that this Drawing (1) is covered by A.Raymond's intellectual property rights or know-how and (2) is provided under the following conditions who represent a Deposit Agreement. This Drawing is for Addressee' internal use only limited to its estimation. Without prior written consent of A.Raymond, no permission or right for any purpose, is hereby granted, such as, without any limitation, (1) the copy, in part or entirely (2) and/or the presentation, in part or entirely, to any other third party outside the Addressee' company or in the company but with no interest (3) and/or the distribution of the Drawing, in part or entirely, in any medium (4) and/or the creation of any derivative work. In case of breach of these conditions, Addressee shall indemnify A.Raymond from and against all damages (compensatory or consequential), costs, expenses and charges, caused or arising out of or attributable to its willful misconduct, fraud, negligence, infringement of A.Raymond' intellectual Property rights. If the Addressee does not accept these conditions, please notify A.Raymond' sender immediately.</p>											
Dateiname/ Filename	016131_C_01										
Ersatz fuer/ Substitute for	16131.549 Index 1 vom 24.03.92	Proj.-Nr./ Proj.-No.	-								
Schutzrechte/ Patent rights	DBP 62	RASCH- Code	BADA-								
Gepr./ App.	F.-gepr./ Produktion	Q.-gepr./ Quality	S.-gepr./ Patent app.								
Masstab / Scale	2:1	Datum/ Date	06.12.2005								
Oberflächenbehandlung/ Finish	-	Gez./ Drawn	M.Nicolai								
Werkstoff/ Material	POM H schlagzaeh impact strength	Blechkicke/ Mat. Thicckn.	DIN EN 10 140								
Werkstoff/ Material	-	Mat.-Code	5549								
Benennung/ Partname	Kabelhalter cable clip - C1										
Teil-Nr./ Part-No.	016131 000		C								