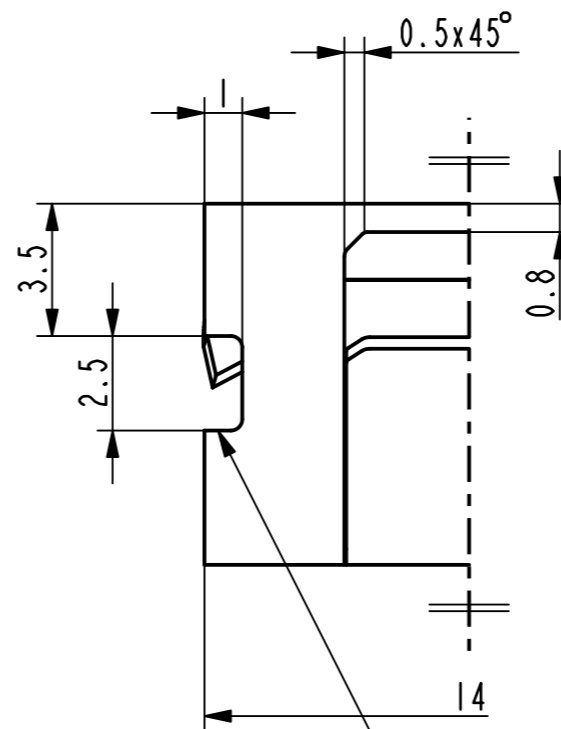
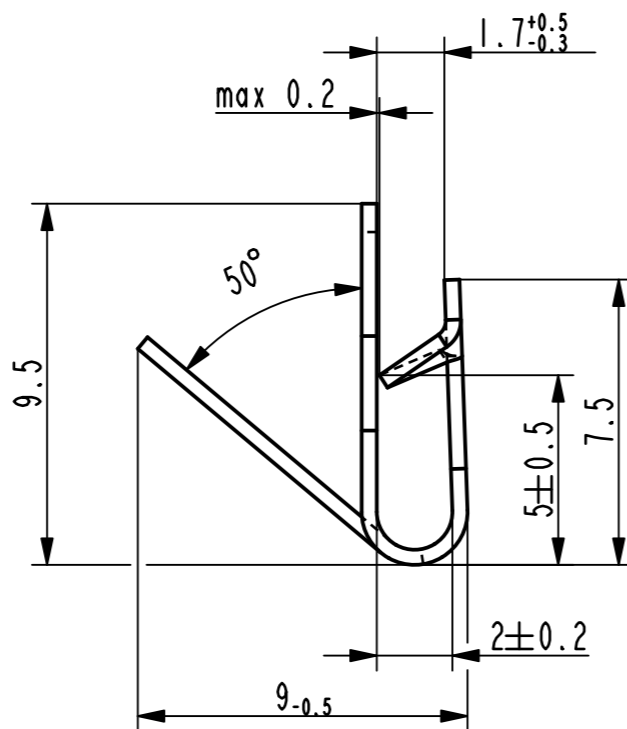
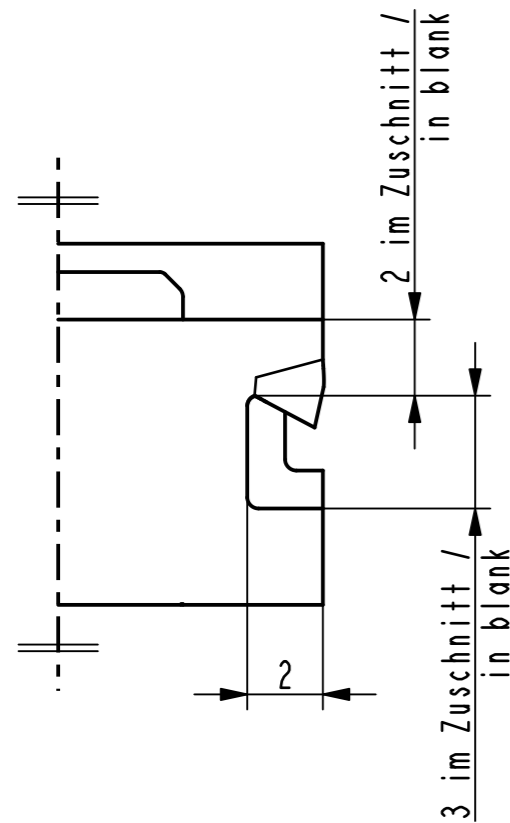
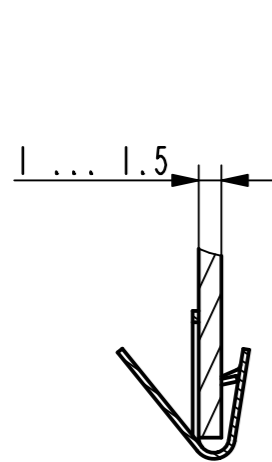


Isometrische Ansicht /  
isometric view  
2:1



Freischnitt zulaessig /  
cutout permissible



Einbausituation /  
assembly situation  
2:1

013075-0-03	verzinkt / passiviert farblos zinc plated / passivated colourless	3250
013075-0-02	metallhaltige Korrosionsschutzbeschichtung, Farbe anthrazit metallic corrosion protection coated, colour anthracite	5411
Teil-Nr. / part no.	Oberflaeche / Farbe / finish / colour	Oberfl. Code/ finish code
Ausfuehrung / Execution		

Vor Auslegung einer automatisierten Verarbeitung des Teils sollte Ruecksprache mit Fa. ARaymond gehalten werden.  
Fully automatic processing of the part requires prior consultation with ARaymond.

-	-	-	-	-
-	-	-	-	-
-	-	-	-	-
-	-	-	-	-
-	-	-	-	-
-	-	-	-	-
-	-	-	-	-
-	-	-	-	-
-	-	-	-	-
-	-	-	-	-

Ab	-	Zeichnung ueberarbeitet nach AR-Gruppenstandard, Teil unveraendert	11.11.11	mj
Rev.	Anzahl/ quantity	Aenderungsbeschreibung / modification description	Datum/date	Name

**ARaymond®**  
Teichstrasse 57  
Germany - 79511 Loerrach  
Phone +49 (0) 7621 174-0  
Fax +49 (0) 7621 174-225  
A RAYMOND GmbH & Co.KG

Bei Verstaendnisproblemen beantragen Sie bitte beim Absender die deutsche Fassung vor jeder Anwendung.  
"CONDITIONS OF USE"  
This drawing and all information (the "Drawing") disclosed are the exclusive property of ARaymond. By using this Drawing the Addressee acknowledge and accept that this Drawing (1) is covered by ARaymond' intellectual property rights or know-how and (2) is provided under the following conditions who represent a Deposit Agreement. This Drawing is for Addressee' internal use only limited to its estimation. Without prior written consent of ARaymond, no permission or rights for any purpose, is hereby granted, such as, without any limitation, (1) the copy, in part or entirely, (2) and/or the presentation, in part or entirely, to any other third party outside the Addressee' company or in the company but with no interest (3) and/or the distribution of the Drawing, in part or entirely, in any medium (4) and/or the creation of any derivative work. In case of breach of these conditions, Addressee shall indemnify ARaymond from and against all damages (compensatory or consequential), costs, expenses and charges, caused or arising out of or attributable to its willful misconduct, fraud, negligence, infringement of ARaymond' intellectual property rights. If the Addressee does not accept these conditions, please notify ARaymond' sender immediately.

Intellectual property rights	vorbehalten / all rights reserved		Classification code	CCF--
Ersatz fuer/ substitute for	013075_c_01/Aa/31.01.2008	Entw.Ref./ dev.ref.	Projekt-Nr./ project no.	

Masstab/ scale	Format	Allgemeintoleranz/ general tolerance	Datum/ date	11.11.2011
5:1	A3	±0.3 / ±5°	Erstellt von/ prepared by	M. Junge

Projektion / projection	ALL DIMENSIONS ARE IN MILLIMETERS	Freigegeben/ approved	2011111124656	
	Bleedicke/ mat. thickness DIN EN 10140	0.40	Volumen/ volume (mm³)	94.9
			Gewicht/ weight (g)	0.8

Oberfl. / finish	phosphatiert / lackiert, Farbe schwarz (nicht deckend) / impraegniert phosphated / varnished, colour clear black / oiled	Oberfl. Code/ finish code	5307
---------------------	---	------------------------------	------

Werkstoffbehandl./ material treatment	zwischenstufenverguetet / austempered 435 ... 535 HV 5		
--	---	--	--

Werkstoff/ material	C67S DIN EN 10 132-4	Mat. code	1000
------------------------	----------------------	-----------	------

Benennung/  
title

U-Klammer  
edge clip

Teil-Nr. / part no.	013075-0-01	Drawing type	C:Customer
------------------------	-------------	--------------	------------

Kundenteile-Nr. / customer part no.	-	Blatt / sheet	1 / 1
CAD system & version	ProE WF4	Dateiname / filename	013075-0C00