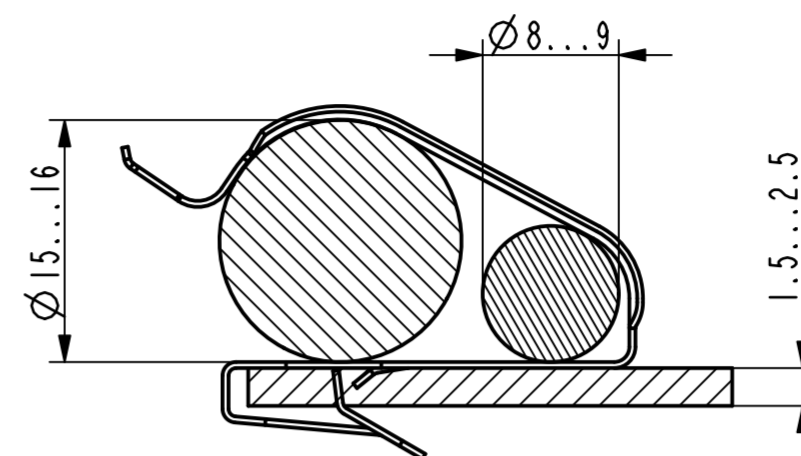
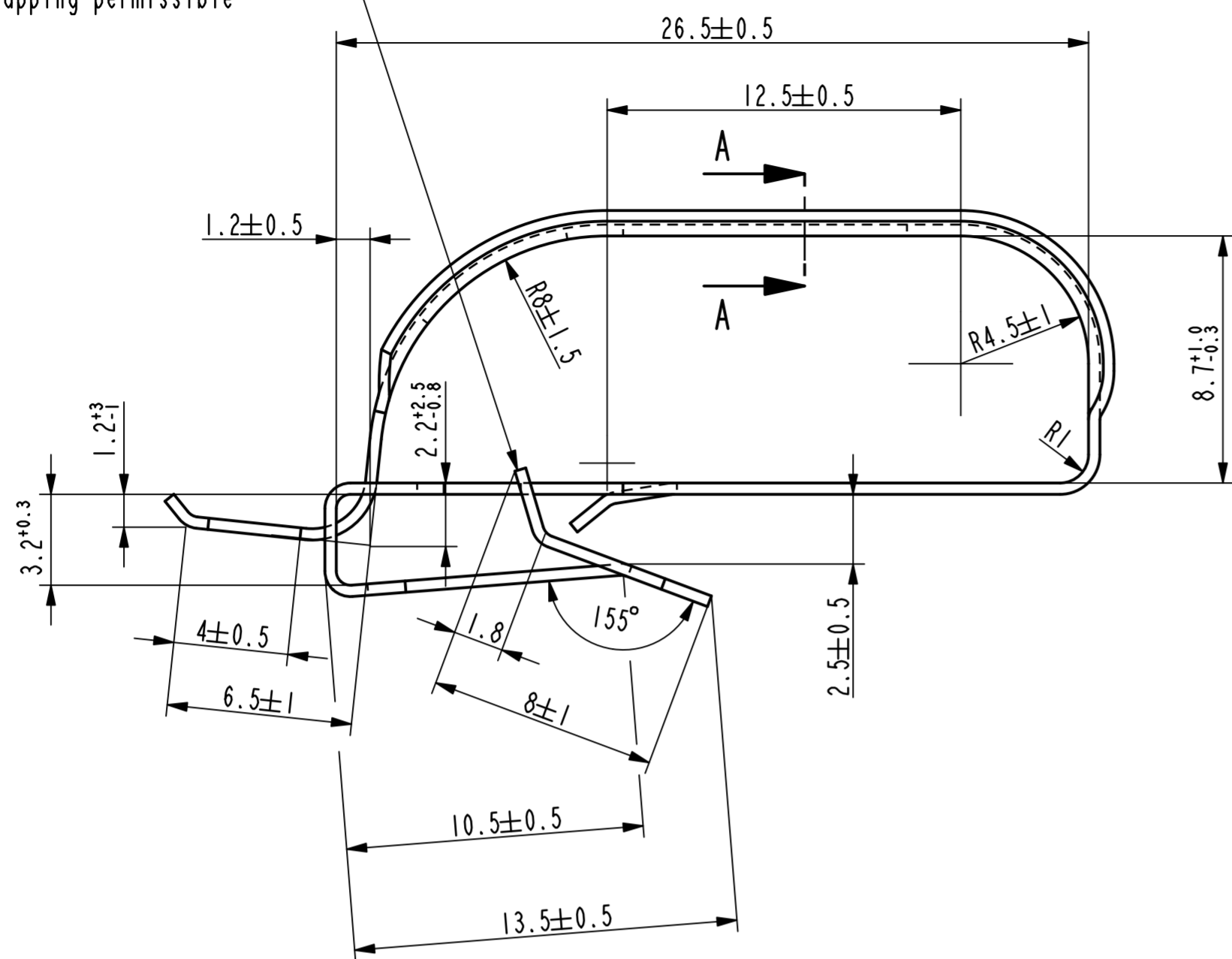
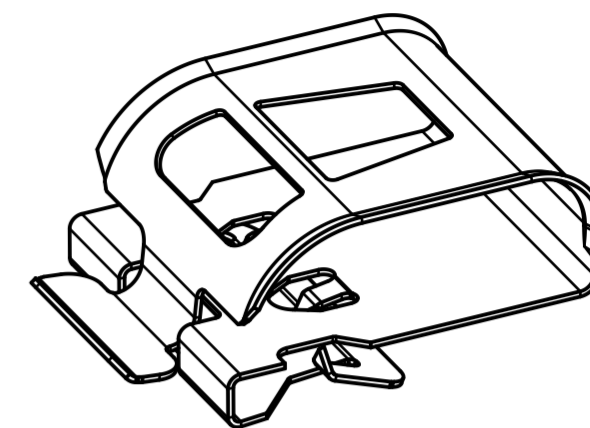


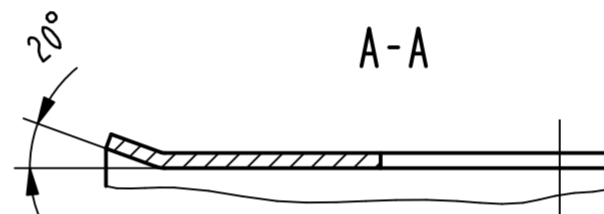
Kralle im Gegenschkel zulaessig /
claw overlapping permissible



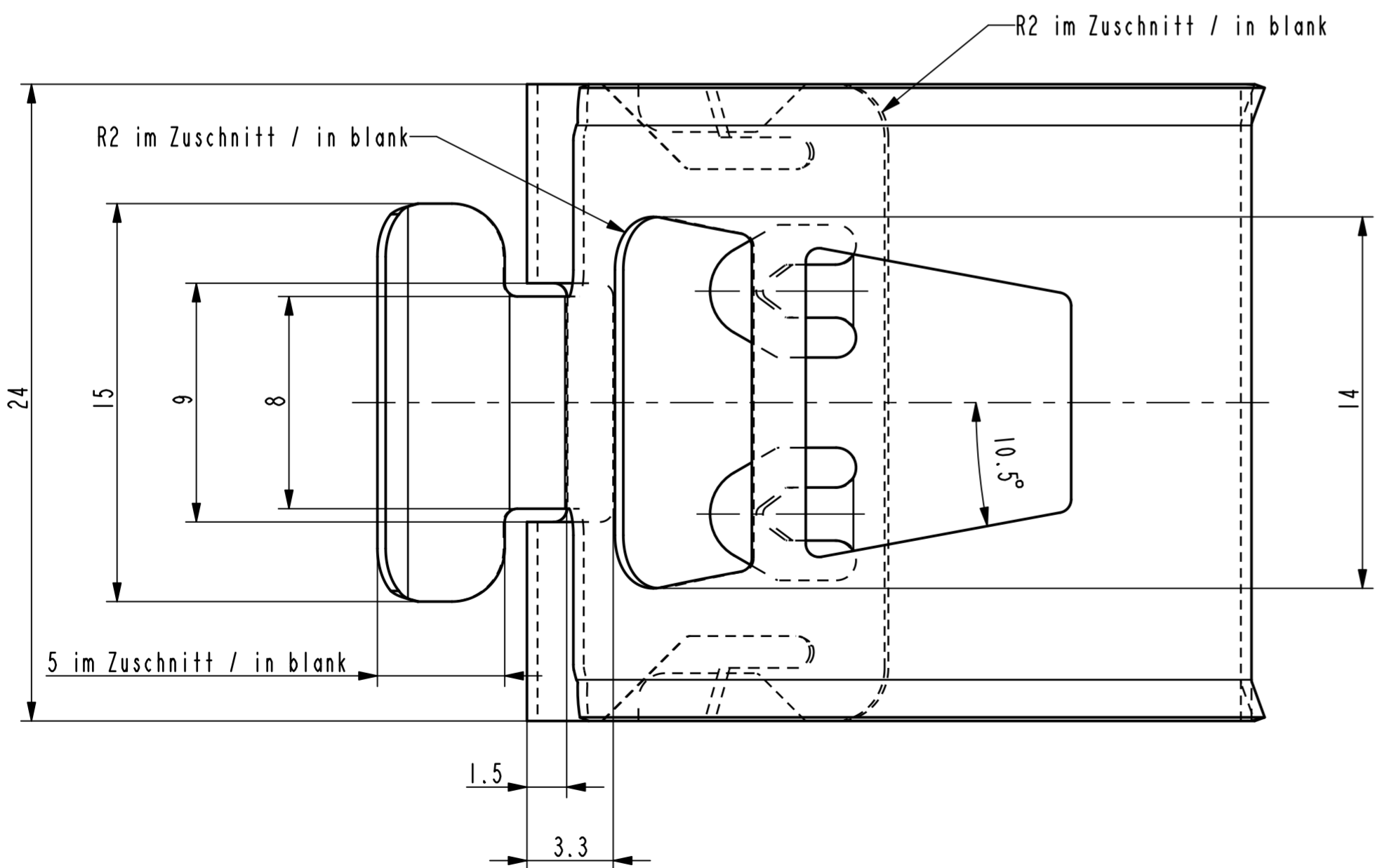
Einbausituation /
assembly situation
2:1



Isometrische Ansicht /
isometric view
2:1



A-A



Vor Auslegung einer automatisierten Verarbeitung des Teils sollte Ruecksprache mit Fa. ARAYmond gehalten werden.
Fully automatic processing of the part requires prior consultation with ARAYmond.

Rev.	Anzahl/quantity	Aenderungsbeschreibung / modification description	Datum/date	Name
Aa	-	Erstfreigabe / initial release	25.09.12	PM



Teichstrasse 57
Germany - 79511 Loerrach
Phone +49 (0) 7621 174-0
Fax +49 (0) 7621 174-225

Bei Verstaendnisproblemen beantragen Sie bitte beim Absender die deutsche Fassung vor jeder Anwendung.
"CONDITIONS OF USE"
This drawing and all information (the "Drawing") disclosed are the exclusive property of ARAYmond.
By using this Drawing the Addressee acknowledges and accepts that this Drawing (1) is covered by ARAYmond's intellectual property rights or know-how and (2) is provided under the following conditions who represent a Deposit Agreement.
This Drawing is for Addressee's internal use only limited to its estimation.
Without prior written consent of ARAYmond, no permission or rights for any purpose, is hereby granted, such as, without any limitation, (1) the copy, in part or entirely, (2) and/or the presentation, in part or entirely, to any other third party outside the Addressee's company or in the company but with no interest (3) and/or the distribution of the Drawing, in part or entirely, in any medium (4) and/or the creation of any derivative work.
In case of breach of these conditions, Addressee shall indemnify ARAYmond from and against all damages (compensatory or consequential), costs, expenses and charges, caused or arising out of or attributable to its willful misconduct, fraud, negligence, infringement of ARAYmond's intellectual property rights. If the Addressee does not accept these conditions, please notify ARAYmond' sender immediately.

Intellectual property rights	vorbehalten / all rights reserved			Classification code	BBCD-
Ersatz fuer/ substitute for	-	Entw.Ref./ dev.ref.	016272-0	Projekt-Nr./ project no.	76148
Masstab/ scale	5:1	Format	A2	Datum/ date	25.09.2012
Projektion / projection	ALL DIMENSIONS ARE IN MILLIMETERS		Erstellt von/ prepared by	Pollichino M.	
Bleedmaass/ met. thickness DIN EN 10140	0.40	Freigegeben/ approved	20120925113508		
Volumen/ volume (mm³)	671.2	Gericht/ weight (g)	5.3		

Oberfl./ finish: metallhaltige Korrosionsschutzbeschichtung, Farbe silver, GZ
metallic corrosion protection coated, colour silver, lubricated

Werkstoffbehandl./ material treatment: zwischenstufenverguetet / austempered
435 ... 535 HV 5

Werkstoff/ material: C67S DIN EN 10132-4

Bezeichnung/ title: Leitungsbefestiger
cable fastener



Teil-Nr./ part no.	228187-0-01	Drawing type	C:Customer
Kundenteile-Nr. / customer part no.	-	Blatt / sheet	1 / 1
CAD system & version	ProE WF4	Dateiname / filename	228187-0C00

Teil-Nr. / part no.	-	Oberflaeche / Farbe / finish / colour	-	Oberfl. Code / finish code	-
Ausfuhrung / Execution					