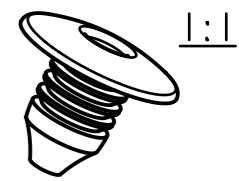


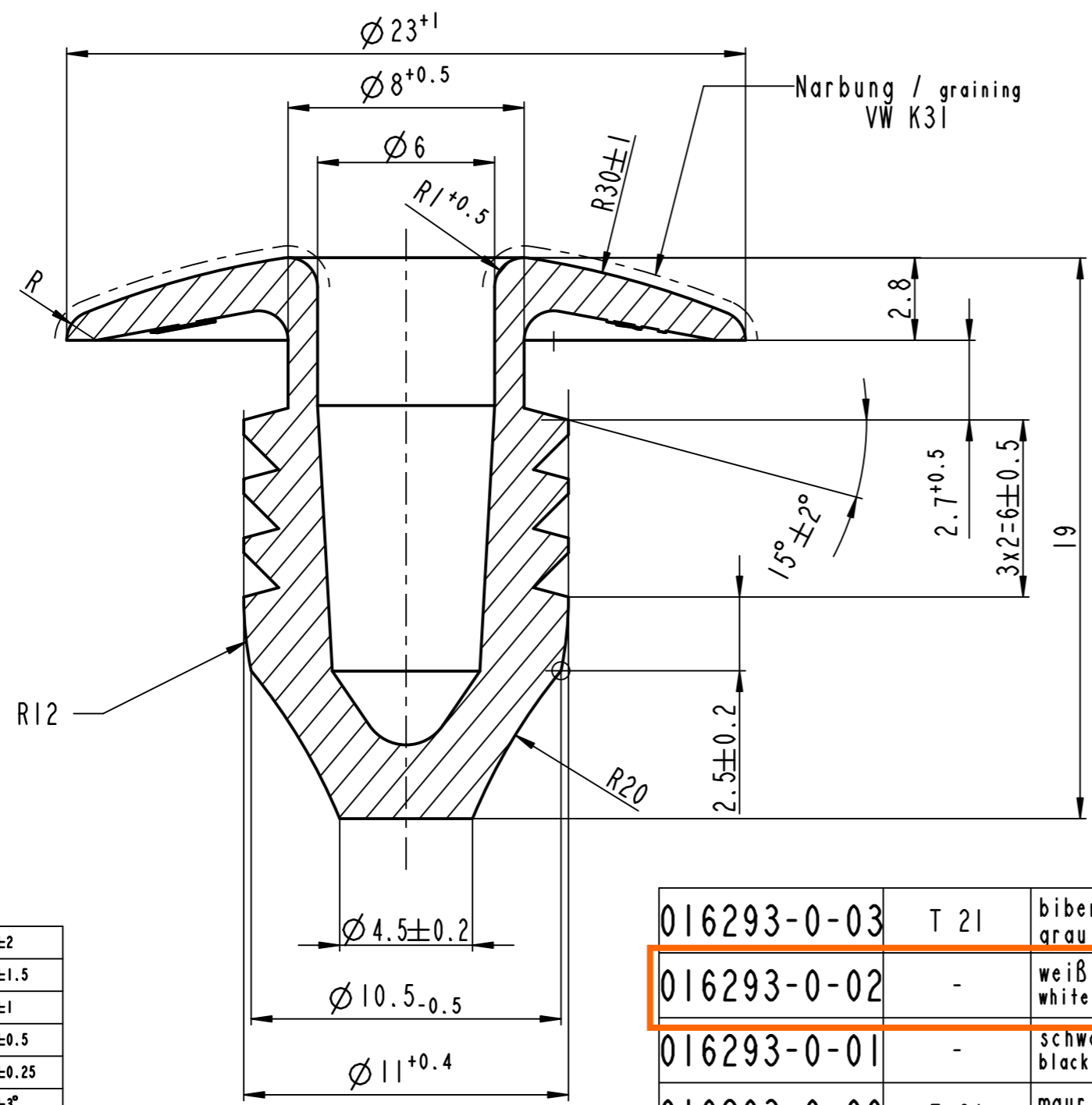
Kennzeichnung: / Identification:
 Warenzeichen VW 105 14 - C2
 Trademark
 Hersteller - Code VW 105 40-2 RAY
 Mfr.- Code
 Werkstoff -Code VDA 260 > PE <
 Material - Code



Befest. - Loch = $\varnothing 10,5^{+0,2}$
 Fastening hole
 Befest. - Dicke = 2,7...6,7
 Fastening thickness



unbemasste Geometrien sind dem
 3D-Datensatz zu entnehmen
 undimensioned geometries must
 be taken from the 3D-data



>400 <= 1000	±2
>120 <= 400	±1.5
> 30 <= 120	±1
> 6 <= 30	±0.5
<= 6	±0.25
Winkel / Angle	±3°

Allgemeintoleranzen fuer
 Nennmae ohne Toleranz.
 General tolerances for
 nominal dimensions without
 specified tolerance.

016293-0-03	T 21	biber grau / grey	GA	4047
016293-0-02	-	weiß white	WS	8001
016293-0-01	-	schwarz black	SW	7001
016293-0-00	F 31	mauritus blau / blue	BL	1021
Teil-Nr. / Part-No.	Spezial / Farbcode/ Special / colourcode	Oberflaeche / Farbe / Finish / colour	Kennzahl/ Code number	
Ausfuhrung / Execution				

-	-	-	-	-	-
Gc	lx	Farbcode korrigiert		03.12.13	Sp
Gb	-	Zeichn. ueberarbeit. nach AR- Gruppenstandard, Teil unveraend.		26.11.13	Sp
Rev.	Anzahl/ quantity	Aenderungsbeschreibung / modification description		Datum/date	Name
		Teichstrasse 57 Germany - 79511 Loerrach Phone +49 (0) 7621 174-0 Fax +49 (0) 7621 174-225			
Bei Verstaendnisproblemen beantragen Sie bitte beim Absender die deutsche Fassung vor jeder Anwendung. "CONDITIONS OF USE" This drawing and all information (the "Drawing") disclosed are the exclusive property of ARaymond. By using this Drawing the Addressee acknowledge and accept that this Drawing (1) is covered by ARaymond' intellectual property rights or know-how and (2) is provided under the following conditions who represent a Deposit Agreement. This Drawing is for Addressee' Internal use only limited to its estimation. Without prior written consent of ARaymond, no permission or rights for any purpose, is hereby granted, such as, without any limitation, (1) the copy, in part or entirely (2) and/or the presentation, in part or entirely, to any other third party outside the Addressee' company or in the company but with no interest (3) and/or the distribution of the Drawing, in part or entirely, in any medium (4) and/or the creation of any derivative work. In case of breach of these conditions, Addressee shall indemnify ARaymond from and against all damages (compensatory or consequential), costs, expenses and charges, caused or arising out of or attributable to its willful misconduct, fraud, negligence, infringement of ARaymond' intellectual property rights. If the Addressee does not accept these conditions, please notify ARaymond' sender immediately.					
Schutzrechte/ patent rights		vorbehalten / all rights reserved		Classification Code	CAAA-
Ersatz fuer/ substitutue for		016293 000 / Ga / 01.10.2007	Entw.Ref./ dev.ref.	Projekt-Nr./ project no. 33006	
Masstab/ scale	Format	Allgemeintoleranz/ general tolerance	Datum/ date	26.11.2013	
5:1	A3	siehe Tabelle/see table	Erstellt von/ prepared by	Schnurpfeil	
Projektion / projection		ALL DIMENSIONS ARE IN MILLIMETERS	Freigegeben/ approved	20131203091004	
		Bleedicke/ mat. thickness DIN EN 10140	Volumen/ volume (mm³)	1319.6	Gewicht/ weight (g) 1.2
Oberfl./ finish					Oberfl. Code/ finish code
Werkstoffbehandl./ material treatment					
Werkstoff/ material					
				PE - LD	Mat. code 4520
Benennung/ title		Stopfen plug			
Teil-Nr./ part no.		016293-0-00		Drawing type C:Customer	
Kundenteile-Nr. / customer part no.				Blatt / sheet 1 / 1	
CAD system & version ProE WF4			Dateiname / filename 016293-0C00		