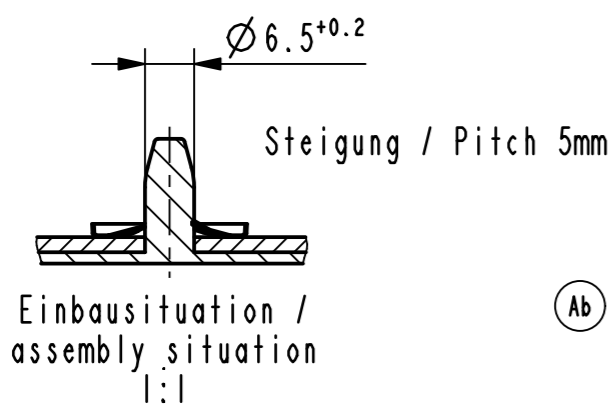
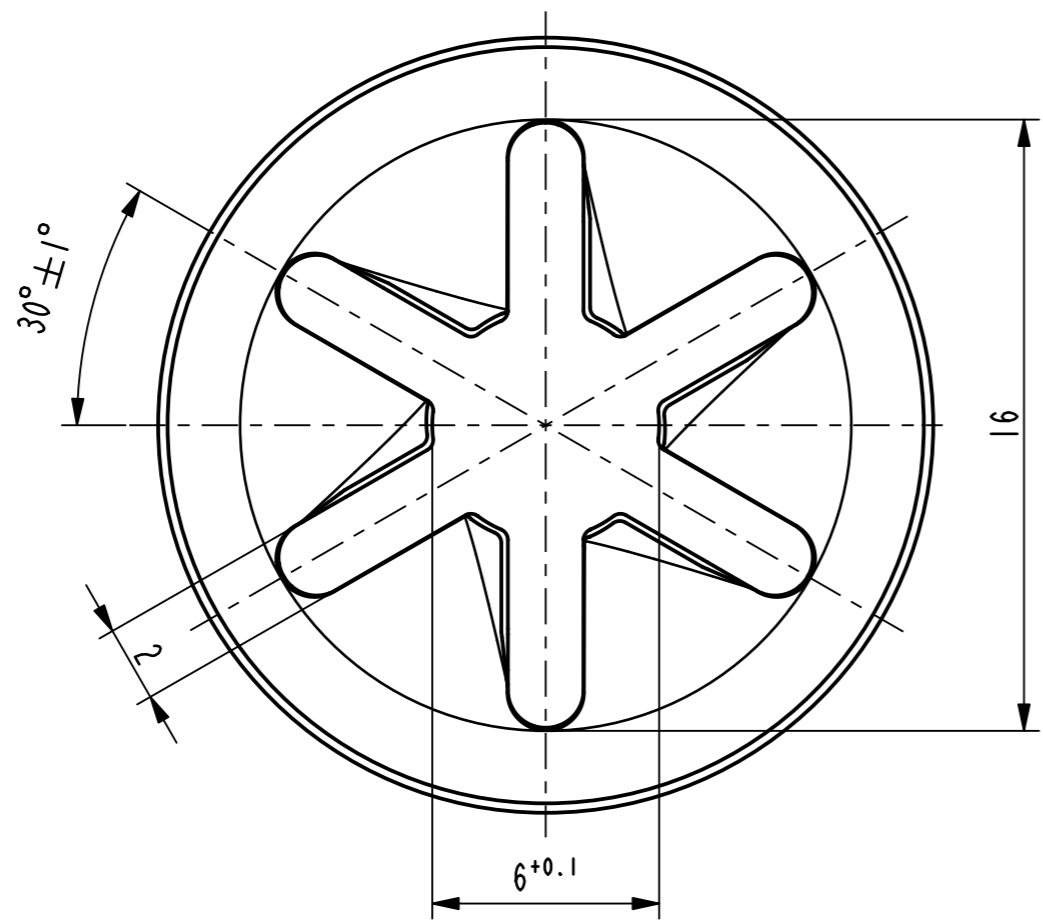


3D-Ansicht /
isometrical view
2:1




Vor Auslegung einer automatisierten Verarbeitung des Teils sollte Ruecksprache mit Fa. A.Raymond gehalten werden.
 Fully automatic processing of the part requires prior consultation with A.Raymond GmbH.

-	-	-	-	-
-	-	-	-	-
-	-	-	-	-
-	-	-	-	-
-	-	-	-	-
-	-	-	-	-
-	-	-	-	-
-	-	-	-	-
-	-	-	-	-
-	-	-	-	-

Aa	lx	Oberflaechevariante hinzugefuegt	13.04.11	mj
Rev.	Anzahl/ quantity	Aenderungsbearbeitung / modification description	Datum/date	Name

ARaymond 
 MORE THAN FASTENING
 Teichstrasse 57
 Germany - 79511 Loerrach
 Phone +49 (0) 7621 174-0
 Fax +49 (0) 7621 174-225

Bei Verstaendnisproblemen beantragen Sie bitte beim Absender die deutsche Fassung vor jeder Anwendung.
"CONDITIONS OF USE"
 This drawing and all information (the "Drawing") disclosed are the exclusive property of A.Raymond.
 By using this Drawing the Addressee acknowledges and accepts that this Drawing (1) is covered by A.Raymond's intellectual property rights or know-how and (2) is provided under the following conditions who represent a Deposit Agreement.
 This Drawing is for Addressee's internal use only limited to its estimation.
 Without prior written consent of A.Raymond, no permission or rights for any purpose, is hereby granted, such as, without any limitation, (1) the copy, in part or entirely, (2) and/or the presentation, in part or entirely, to any other third party outside the Addressee's company or in the company but with no interest (3) and/or the distribution of the Drawing, in part or entirely, in any medium (4) and/or the creation of any derivative work.
 In case of breach of these conditions, Addressee shall indemnify A.Raymond from and against all damages (compensatory or consequential), costs, expenses and charges, caused or arising out of or attributable to its willful misconduct, fraud, negligence, infringement of A.Raymond's intellectual property rights. If the Addressee does not accept these conditions, please notify A.Raymond's sender immediately.

Intellectual property rights	vorbehalten / all rights reserved		Classification code
Ersatz fuer/ substitut for	015212_c_01/A/29.10.2004	Entw.Ref./ dev.ref.	Projekt-Nr./ project no.
Maßstab/ scale	Format	Allgemeintoleranz/ general tolerance	Datum/ date
		±0.25 / ±3°	13.04.2011
Projektion / projection		ALL DIMENSIONS ARE IN MILLIMETERS	Erstellt von/ prepared by
		Blechedicke/ mat. thickness DIN EN 10140	0.25
		Volumen/ volume (mm³)	81.9
		Gewicht/ weight (g)	0.7

Oberfl./ finish	metallhaltige Korrosionsschutzbeschichtung, Farbe silber metallic corrosion protection coated, colour silver	Oberfl. Code/ finish code	5410
--------------------	---	------------------------------	------

Werkstoffbehandl./ material treatment	zwischenstufenverguetet / austempered 435 ... 535 HV 3
--	---

Werkstoff/ material	C67S DIN EN 10132-4	Mat. code	1000
------------------------	---------------------	-----------	------

Benennung/ title	Federmutter spring nut
---------------------	---------------------------

Teil-Nr./ part no.	015212-0-01	Drawing type	C:Customer
-----------------------	-------------	--------------	------------

Kundenteile-Nr. / customer part no.	-	Blatt / sheet	1 / 1
CAD system & version	ProE WF4	Dateiname / filename	015212-0C00

Ab	015212-0-03	metallhaltige Korrosionsschutzbeschichtung, Farbe silber, GZ metallic corrosion protection coated, colour silver, lubricated	4001
Teil-Nr. / part no.		Oberflaeche / Farbe / finish / colour	Oberfl. Code/ finish code
Ausfuehrung / Execution			