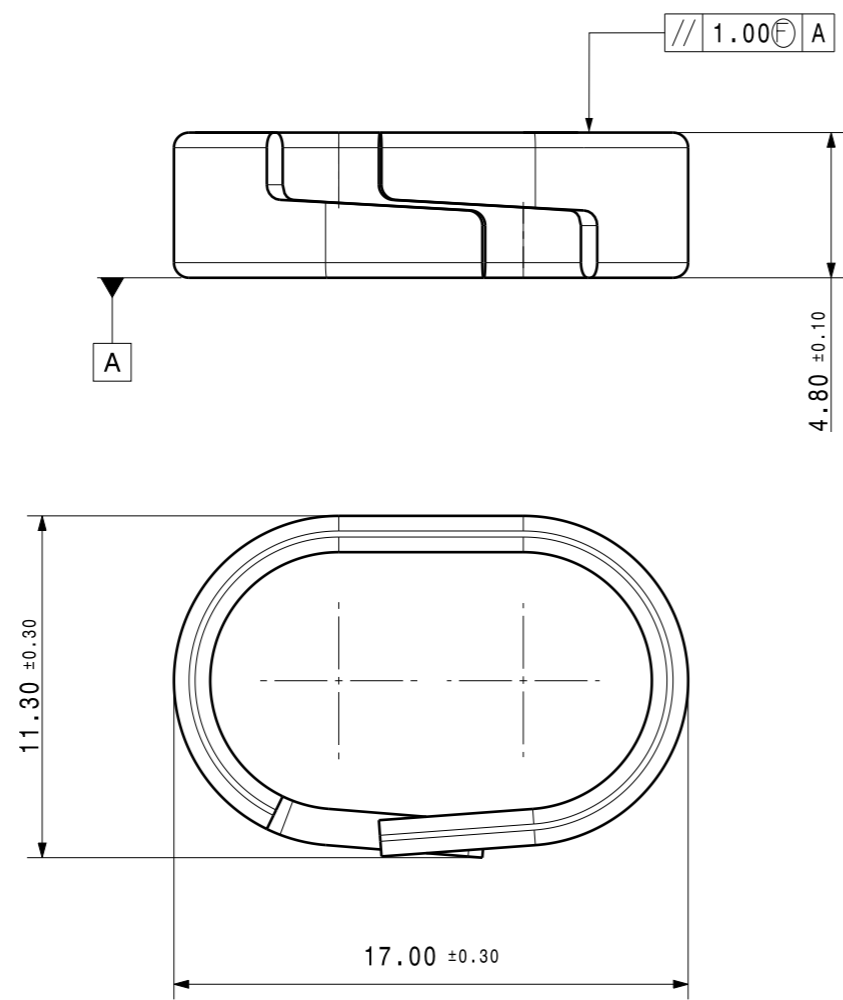
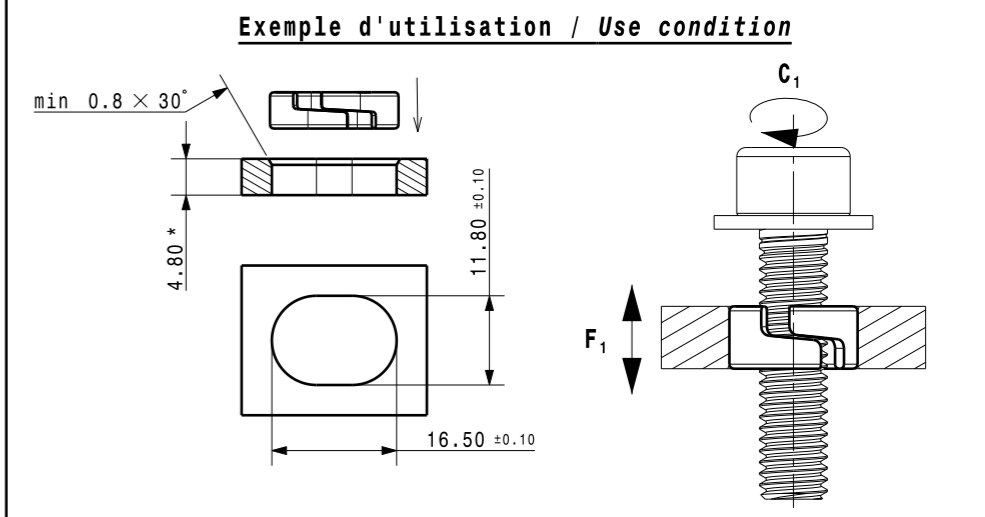


Variant	<b>Finitions / Finishes</b>
00	ZnNi(12-15%Ni)8μ min + Cr3 gris/grey + FOM ProtedurNi75+ Ecotri Gris/grey +Corrosi1501 BS RR:720H

VERIFIER L ECHELLE APRES PHOTOCOPIE / BEWARE SCALE AFTER COPY



- Logement intérieur bague POUR INFORMATION : 9,40mm +0/-0,30 x 14,60mm +0/-0,30
- Couple de serrage admissible C1 et tenue sur support F1 : à valider pour chaque nouvelle application
- Chanfrein d'entrée obligatoire
- Dans le cas d'une distribution automatique et/ou du surmoulage, le process doit être validé par ARaymond
  
- Ring inner room FOR INFORMATION : 9,40mm +0/-0,30 x 14,60mm +0/-0,30
- Admissible tightening torque C1 and pull out force F1 : to be validated for each application
- Introduction chamfer required
- If automatic distribution and/or overmoulding, ARaymond must validate the process



\* Epaisseur modifiable / Adjustable thickness

**ARAYMOND** **ARaymond**

113 cours Berriat BP 157  
France - 38019 Grenoble cedex 1  
Tel +33 (0) 4 76 33 49 49  
Fax +33 (0) 4 76 78 20 50

Si probleme de comprehension, merci de demander la version française a ARaymond avant toute utilisation.

If the addressee does not accept these conditions, please notify A.Raymond sender immediately. This drawing and all information (the Drawing) disclosed are the exclusive property of A.Raymond. By using this Drawing the Addressee acknowledges and accepts that this Drawing (i) is covered by A.Raymond intellectual property rights or know-how, and, (ii) is provided under the following conditions who represent a Deposit Agreement. This Drawing is for Addressee' internal use only limited to its estimation. Without prior written consent of A.Raymond, no permission or rights for any purpose, is hereby granted, such as, without any limitation, (1) the copy, in part or entirely (2) and/or the presentation, in part or entirely, to any other third party outside the Addressee' company or in the company but with no interest (3) and/or the distribution of the Drawing, in part or entirely, in any medium (4) and/or the creation of any derivative work. In case of breach of these conditions, Addressee shall indemnify A.Raymond from and against all damages (compensatory or consequential), costs, expenses and charges, caused or arising out of or attributable to its willful misconduct, fraud, negligence, infringement of A.Raymond' Intellectual Property rights.

Brevets / Patent rights		Safix code XXXXX	
N° Projet	Origine / Origin	218080-1-Ba	Chef de projet / Project Manager
Echelle / scale		Format	Date
4:1	A3	A3	09.05.2011
Tolerance / General tolerance		Date	
Dimension	Angle	09.05.2011	
± 0.50	± 5.00°	Realise / Prepared by	
ALL DIMENSIONS ARE IN MILLIMETERS		DELACHOUSSE.Q	
Epaisseur / Mat. thickness		Approuve / Approved	20110509150603
1,20	Volume (mm³)	Poids / Weight (g)	1.7

Finition / finish  
**Voir nomenclature**  
**See parts list**

Traitement structural / Material treatment  
**C70D**  
**>0,5 : TTH.HR 30 N : 61,3 a 64,7 (42 a 46 HRc)**

Matiere / Material  
**C70D**

Libelle / Title  
**Bague anti-fluage**  
**OBLONGUE**  
**Anti-creep ring**  
**OBLONG**

Reference / Part no.  
**218080-0-00**

Drawing type  
**C : Customer**

Eb	-	MISE A JOUR CONDITION D'UTILISATION	09.05.11	QDE	Ref. client / Customer part no.
REV.	Quant.	Indice / revision description	Date	Name	Planche / Sheet 1/1

Ref. client / Customer part no.  
CAD system & version CATIA V5 R19 SP7  
Nom fichier / File name 218080-0C00