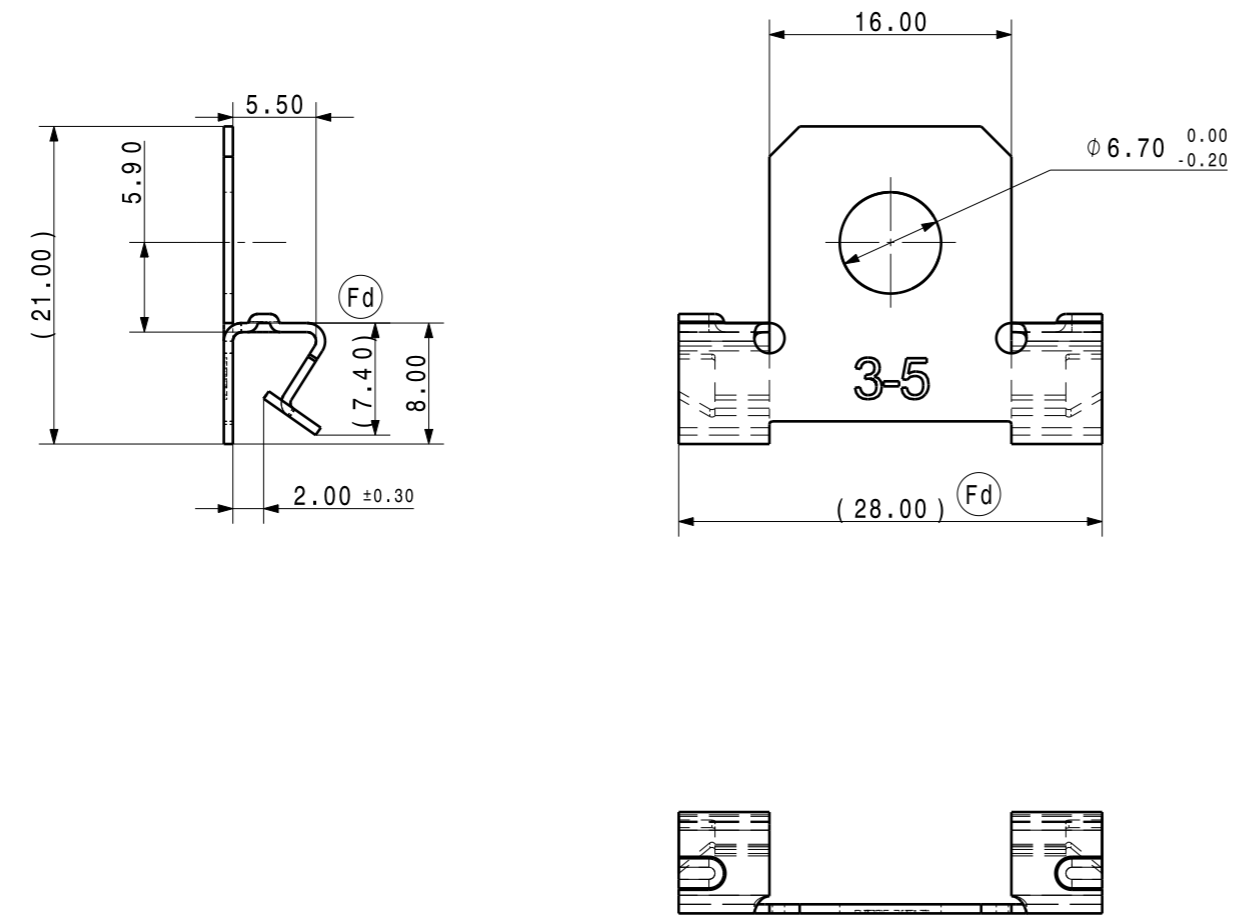
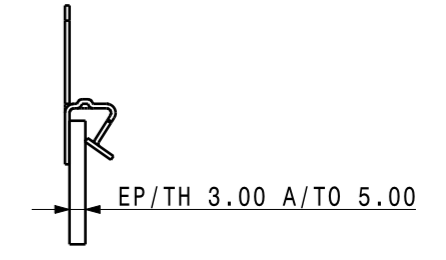


Variant	Matière / Material	Traitement / Material treatments	Finition / Finishes	Poids (g) / Weight (g)
06	C67S-A	TTH.HR 30 N : 61.3 a 64.7 (42 a 46 HRc)	BRUT DE TREMPÉ	2.4
07	C67S-A	TTH.HR 30 N : 61,3 a 64,7 (42 a 46 HRc)	ZnFL Zn-Al-PTFE black 10µ min Geomet 500B + Geoblack noir/black BS RR:1000H	2,4

Une consultation préalable de A.Raymond SARL est nécessaire pour toute mise en place de la pièce en automatique.  
Automatic processing of the part requires prior consultation with A.Raymond SARL.

EXEMPLE D'UTILISATION/USE CONDITION  
ECHELLE/SCALE : 1:1



**A Raymond**  
113 cours Berriat BP 157  
France - 38019 Grenoble cedex 1  
Tel +33 (0) 4 76 33 49 49  
Fax +33 (0) 4 76 78 20 50

Si problème de compréhension, merci de demander la version française à A.Raymond avant toute utilisation.  
If the addressee does not accept these conditions, please notify A.Raymond sender immediately. This drawing and all information (the Drawing) disclosed are the exclusive property of A.Raymond. By using this Drawing the Addressee acknowledges and accepts that this Drawing (1) is covered by A.Raymond intellectual property rights or know-how, and, (ii) is provided under the following conditions who represent a Deposit Agreement. This Drawing is for Addressee' internal use only limited to its estimation. Without prior written consent of A.Raymond, no permission or rights for any purpose, is hereby granted, such as, without any limitation, (1) the copy, in part or entirely (2) and/or the presentation, in part or entirely, to any other third party outside the Addressee' company or in the company but with no interest (3) and/or the distribution of the Drawing, in part or entirely, in any medium (4) and/or the creation of any derivative work. In case of breach of these conditions, Addressee shall indemnify A.Raymond from and against all damages (compensatory or consequential), costs, expenses and charges, caused or arising out of or attributable to its willful misconduct, fraud, negligence, infringement of A.Raymond' Intellectual Property rights.

Brevets / Patent rights		Safix code <b>YHA--</b>	
N° Projet	Origine / Origin	Chef de projet / Project Manager <b>GIRAUD.S</b>	
Echelle / scale <b>2:1</b>	Format <b>A3</b>	Tolerance / General tolerance Dimension Angle <b>± 0.50 ± 5.00°</b>	Date <b>08.07.2010</b>
<b>ALL DIMENSIONS ARE IN MILLIMETERS</b>		Realise / Prepared by <b>AILHAS.F</b>	Approuve / Approved <b>20131010131207</b>
Epaisseur / Mat. thickness <b>0,60</b>		Volume (mm³) <b>306,6</b>	Poids / Weight (g) <b>-</b>

Finition / finish  
**See parts list  
Voir tableau**

Traitement structural / Material treatment  
**See parts list  
Voir tableau**

Matiere / Material  
**See parts list  
Voir tableau**

Libelle / Title  
**Patte support  
Verticale  
Clamp  
Vertical line**

Reference / Part no.  
**054026-0-06**

Drawing type  
**C : Customer**

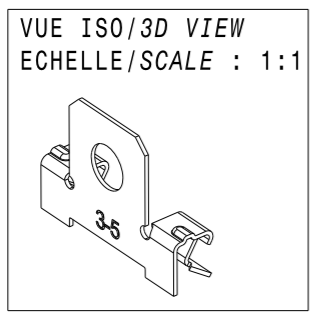
Ref. client / Customer part no.

Planche / Sheet **1/1**

CAD system & version **CATIA V5 R19 SP9**

Nom fichier / File name **054026-0C06**

REV.	Quant.	Indice / revision description	Date	Name
Fe	-	MISE À JOUR DÉSIGNATION MATIÈRE / UPDATE OF MATERIAL DESIGNATION	10.10.13	FCA
Fd	-	UPDATED DIMENSIONS	24.11.10	FAI
Fc	-	New Variance	08.07.10	FAI



<http://www.cergy-vis.fr>  
**[CERGY-VIS]**  
ET SI ON PARLAIT SERVICE

VERIFIER L ECHELLE APRES PHOTOCOPIE / BEWARE SCALE AFTER COPY